

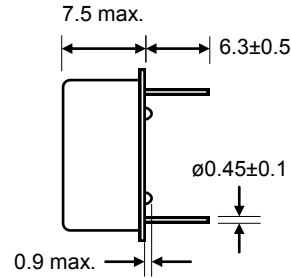
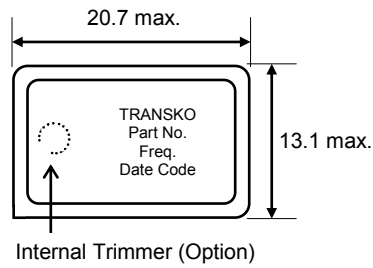
TCXO/VCTCXO FULL SIZE HERMETIC SEALED (20.7 x 13.1 x 7.5mm)
FEATURES:

- WIDE FREQUENCY RANGES
- TIGHT STABILITY AVAILABLE
- LVDS / PECL OUTPUT

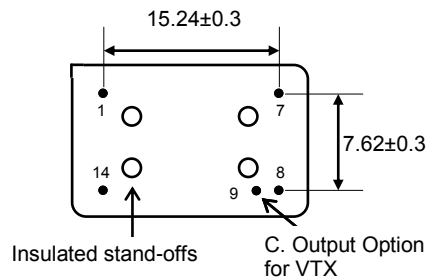

■ SPECIFICATION

PARAMETER		MIN.	TYP.	MAX.	UNIT	NOTE
FREQUENCY RANGE		750K		800M	Hz	
FREQUENCY STABILITY	vs. TEMPERATURE	±0.5		±5.0	ppm	See P/N guide for other options
	vs. LOAD ± 10%			±0.2	ppm	
	vs. SUPPLY VOLTAGE ± 5%		±0.1	±0.3	ppm	
	vs. AGING			±1.0	ppm/year	@ 25°C
OPERATING TEMPERATURE RANGE		-40		85	°C	See P/N guide for other options
STORAGE TEMPERATURE RANGE		-55		125	°C	
SUPPLY VOLTAGE ±5%		3.3		5.0	V	See P/N guide for other options
SUPPLY CURRENT	0.75MHz ≤ f ≤ 24MHz			25	mA	
	24MHz < f ≤ 800MHz			100	mA	
OUTPUT	LOGIC FAMILY		LVDS / PECL			
	LOAD	LVDS	100		Ω	Output - Complimentary Output
		PECL	50		Ω	into V _{DD} - 2V _{DC}
	LEVEL	LVDS (V _{OH})		1.43		V
		LVDS (V _{OL})		1.10		V
		PECL (V _{OH})	V _{DD} - 1.025V			V
		PECL (V _{OL})			V _{DD} - 1.62V	V
	DIFFERENTIAL OUTPUT VOLTAGE			330		mV
	OFFSET VOLTAGE			1.2		V
	SYMMETRY (DUTY CYCLE)		45		55	%
RISE AND FALL TIME (Tr/Tf)				1.0	nS	
FREQUENCY DEVIATION		±5		±20	ppm	
CONTROL VOLTAGE	3.3V	0.15		3.15	V	
	5.0V	0.5		4.5	V	
FREQUENCY ADJUSTMENT (OPTION)		±3.0			ppm	By internal trimmer
PHASE NOISE	10Hz		-80		dBc/Hz	@ 20.0MHz offset
	100Hz		-120		dBc/Hz	
	1kHz		-135		dBc/Hz	
	10kHz		-140		dBc/Hz	
	100kHz		-145		dBc/Hz	

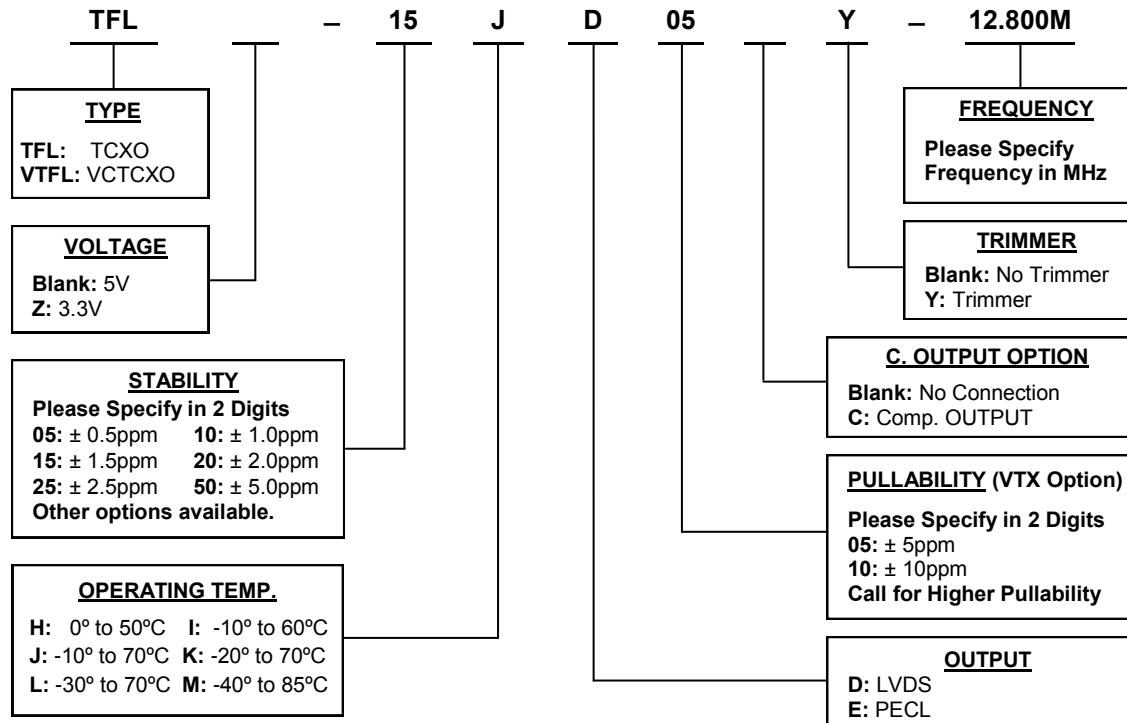
Transko Electronics, Inc reserves the right to make changes to the product (s), service (s), and specification (s) described herein without notice. See "Terms of Sale" for details on our website.

■ PACKAGE DIMENSIONS


Unit : mm



Pin Connections		
	TX	VTX
1	N.C. or C.Output	V _C
7	GND	
8	Output	
9 (Option)	N.C.	C.Output
14	V _{DD}	

■ PART NUMBERING GUIDE


Transko Electronics, Inc reserves the right to make changes to the product (s), service (s), and specification (s) described herein without notice. See "Terms of Sale" for details on our website.