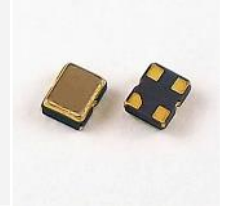


## MINIATURE SMD OSCILLATOR (2.5 x 2.0 x 1.0mm)

### FEATURES:

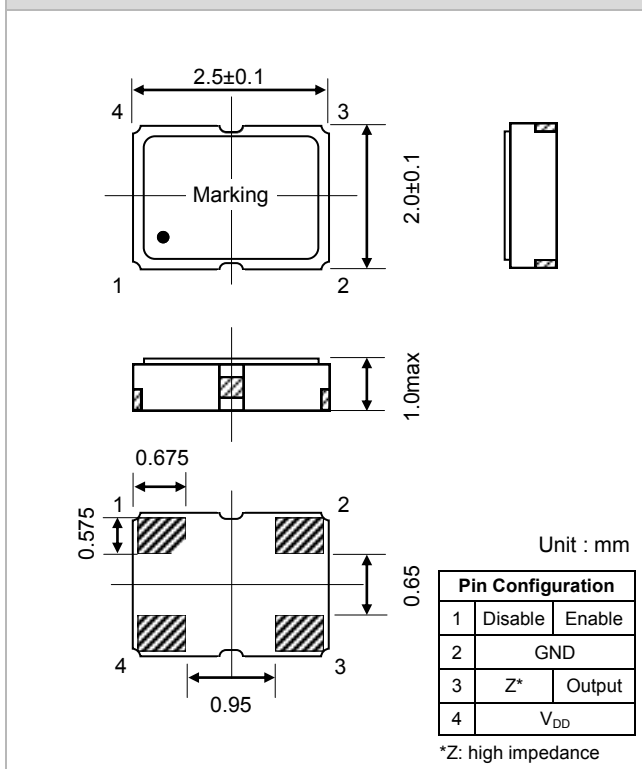
- HCMOS OUTPUT @ 32.768kHz
- LOW POWER CONSUMPTION



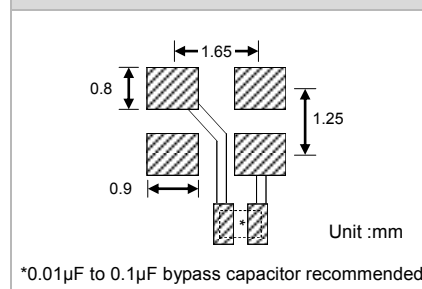
### ■ SPECIFICATION

<b>FREQUENCY</b>		32.768kHz
<b>FREQUENCY STABILITY</b>		STD: ±50ppm (See P/N guide for other options)
<b>OPERATING TEMPERATURE RANGE</b>		-40°C ~ 85°C
<b>STORAGE TEMPERATURE RANGE</b>		-55°C ~ 125°C
<b>SUPPLY VOLTAGE ±10%</b>		1.8V ~ 3.3V
<b>SUPPLY CURRENT</b>		10µA max.
<b>OUTPUT</b>	<b>LOGIC FAMILY</b>	HCMOS
	<b>LOAD</b>	15pF
	<b>LEVEL LOGIC '1' (V<sub>OH</sub>)</b>	0.9 x V <sub>DD</sub> min.
	<b>LEVEL LOGIC '0' (V<sub>OL</sub>)</b>	0.1 x V <sub>DD</sub> max.
	<b>SYMMETRY(DUTY CYCLE)</b>	40% / 60%
	<b>RISE AND FALL TIME (Tr/Tf)</b>	30nS Max.
	<b>START-UP TIME</b>	10mS Max.
<b>STAND-BY VOLTAGE</b>	<b>ENABLE (V<sub>IH</sub>)</b>	0.7 x V <sub>DD</sub> ≤ V <sub>IH</sub> ≤ V <sub>DD</sub> OR N/C
	<b>DISABLE (V<sub>IL</sub>)</b>	V <sub>IL</sub> ≤ 0.3 x V <sub>DD</sub>
<b>AGING @ +25°C ±3°C</b>		±3.0ppm / 1 <sup>st</sup> year max.

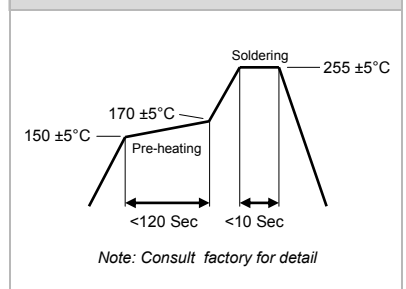
### ■ PACKAGE DIMENSIONS



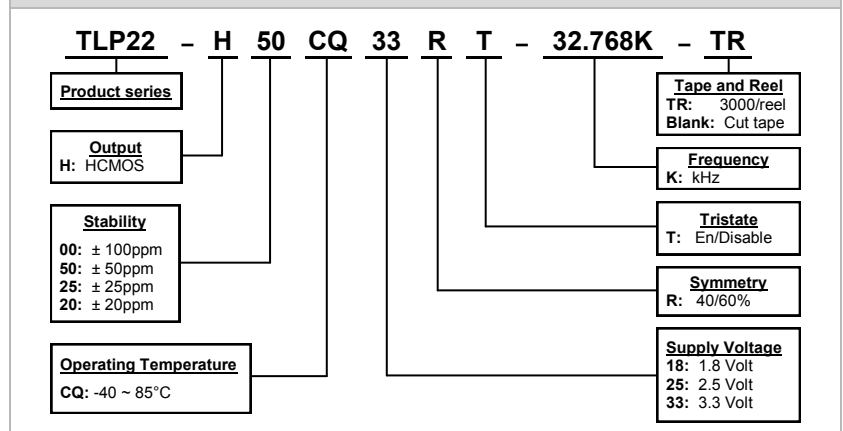
### ■ SOLDER PATTERN



### ■ REFLOW PROFILE



### ■ PART NUMBERING GUIDE



Transko Electronics, Inc reserves the right to make changes to the product (s), service (s), and specification (s) described herein without notice. See "Terms of Sale" for details on our website.