

PART NUMBER	CENTER FREQUENCY (MHz)	1dB BAND-WIDTH (MHz)	3dB BAND-WIDTH (MHz)	40dB BAND-WIDTH (MHz)	INSERTION LOSS (dB)	PASSBAND RIPPLE (dB)	ULTIMATE REJECTION (dB)	PKG	REMARKS
TSL3203AV	32	2.8	3.4	5.85	12.5	0.4	45	13.3x6.5	Low-Loss
TSL3503AV	35	2.9	3.5	6.1	11	0.4	45	13.3x6.5	Low-Loss
TSA36FR	36.125	7.5	8	9.40 (30dB)	20.3	0.5	37	13.7x4.8	Digital
TSA36BB1	36.125	-	8	9.44 (30dB)	17	0.5	33	16.3x6.3	Digital
TSL3803AV	38	2.75	3.4	6	11.5	0.5	45	13.3x6.5	Low-Loss
TSA36EF	38.9	5.7	5.9	6.7	27.5	0.5	54	34.7x12.6	CA-TV
TSA36FF	38.9	6.6	6.8	7.6	30	0.5	52	34.7x12.6	CA-TV
TSA38FU7	38.912	-	1.5	2.50 (30dB)	25.5	0.5	42	11.5x4.8	DAB
TSA38EU7	38.912	-	1.5	2.70 (30dB)	17	0.5	45	11.5x4.8	DAB
TSA04305AF	43.75	5.33	5.54	6.32	24	0.5	55	34.7x12.6	Analog-TV
TSA04305BF	43.75	5.48	5.7	6.55	21.5	0.4	55	34.7x12.6	Analog-TV
TSA43AB1	43.75	-	6	7.60 (30dB)	15	0.6	40	16.3x6.3	Digital
TSA43CB	43.75	-	5.8	7.50 (30dB)	23.5	0.8	40	15.9x5.9	Digital
TSA44EF	44	5.5	5.68	6.45	25.5	0.5	50	34.7x12.6	Analog-TV
TSA04405BF	44	5.6	5.75	6.44	24.5	0.6	55	34.7x12.6	Digital-TV
TSA04405AF	44	5.7	5.88	6.65	25	0.5	50	34.7x12.6	Digital-TV
TSL04510CD1	45	9.85	10.4	12.8	12.5	0.5	45	20.0x9.8	Low-Loss
TSA04510AD1	45	10	10.4	11.9	24	0.4	52	20.0x9.8	High Selectivity
TSL04510BD1	45	10.1	10.4	12.1	16.5	0.4	48	20.0x9.8	Low-Loss
TSL04513AV	45	13.85	14.6	18.1	18	0.7	45	13.3x6.5	Low-Loss
TSL04803AV	48	3.4	3.9	7	12.5	0.6	40	13.3x6.5	Low-Loss
TSL04810AV	48	10.1	10.5	20	13.5	0.6	45	13.3x6.5	Low-Loss
TSA05509AD1	55	9.9	10.3	11.85	24.5	0.5	50	20.0x9.8	High Selectivity
TSA05509BD1	55	9.9	10.3	11.85	21	0.5	50	20.0x9.8	High Selectivity
TSL05509BD1	55	9.9	10.3	11.85	21	0.5	50	20.0x9.8	High Selectivity
TSA5504AF	55.2	4.06	4.27	5.18	24	0.6	55	34.7x12.6	High Selectivity
TSA56AD1	56.25	9.9	10.45	12.55	19	0.7	53	20.0x9.8	High Selectivity
TSA05709AD1	57	9.84	10.13	11.34	20	0.5	53	20.0x9.8	High Selectivity
TSA6004AF	60	4.07	4.28	5.15	24	0.6	55	34.7x12.6	High Selectivity
TSA06010AD1	60	10.1	10.45	11.85	20.5	0.4	53	20.0x9.8	High Selectivity
TSL06010BV	60	10.2	10.65	12.8	14.5	0.4	48	13.3x6.5	Low-Loss
TSL6010V	60	10.3	11	13.5	10.5	0.6	40	13.3x6.5	Low-Loss
TSL6011V	60	12	12.7	15.3	12	0.4	45	13.3x6.5	Low-Loss
TSL06019AV	60	19.6	20.65	23.8	14	0.5	45	13.3x6.5	Low-Loss
TSL06020BV	60	20.05	20.9	24	14.5	0.4	45	13.3x6.5	Low-Loss
TSA06013AD1	60.51	13.9	14.23	15.62	24	0.5	52	20.0x9.8	High Selectivity
TSA06110AF	61	10	10.2	11.06	21	0.6	50	34.7x12.6	High Selectivity
TSA06110BF	61	10.3	10.55	11.45	23	0.6	50	34.7x12.6	High Selectivity
TSL06206CT	62.5	6.6	7.6	10.65	9.5	0.4	42	9.1x4.8	Low-Loss
TSL6210V	62.5	9.85	10.6	13.9	15.5	0.4	45	13.3x6.5	Low-Loss
TSL06209AT	62.5	10.25	11.25	15.65	11	0.5	45	9.1x4.8	Low-Loss
TSA06214AD	62.5	14.6	14.96	16.38	21.5	0.6	52	20.0x12.6	High Selectivity
TSA06214BV	62.5	14.8	15.3	17.3	24	0.5	47	13.3x6.5	High Selectivity

Transko Electronics, Inc reserves the right to make changes to the product (s), service (s), and specification (s) described herein without notice. See "Terms of Sale" for details on our website.

PART NUMBER	CENTER FREQUENCY (MHz)	1dB BAND-WIDTH (MHz)	3dB BAND-WIDTH (MHz)	40dB BAND-WIDTH (MHz)	INSERTION LOSS (dB)	PASSBAND RIPPLE (dB)	ULTIMATE REJECTION (dB)	PKG	REMARKS
TSL06216BV	62.5	16.2	16.98	20.1	13	0.3	48	13.3x6.5	Low-Loss
TSL06216AT	62.5	16.6	17.57	21.56	20.5	0.3	45	9.1x4.8	Low-Loss
TSA06219AF	62.5	18.95	19.17	20.15	23.5	0.6	52	34.7x12.6	High Selectivity
TSA06219DD	62.5	19.1	19.5	20.8	22.5	0.6	50	20.0x12.6	High Selectivity
TSL06219EV	62.5	19.18	19.8	23.1	14.5	0.5	48	13.3x6.5	Low-Loss
TSL06219DT	62.5	19.2	20.1	25.6	19	0.7	40	9.1x4.8	Low-Loss
TSA06219AD	62.5	19.4	19.94	22.09	21.5	0.4	48	20.0x12.6	High Selectivity
TSA06219ED1	62.5	19.45	20	21.95	21.5	0.5	50	20.0x9.8	High Selectivity
TSA06219BD	62.5	19.5	20	21.93	22.5	0.4	55	20.0x12.6	High Selectivity
TSL06219CT	62.5	19.62	20.44	25.2	20.5	0.5	45	9.1x4.8	Low-Loss
TSL06219BV	62.5	19.65	20.27	23.4	13.5	0.4	48	13.3x6.5	Low-Loss
TSL06219AV	62.5	19.7	20.3	23.4	14	0.4	48	13.3x6.5	Low-Loss
TSA62AV	62.5	19.85	20.35	22.5	20.5	0.6	45	13.3x6.5	High Selectivity
TSL62B3	62.5	20.1	21.15	25.8	22	0.5	45	13.3x6.5	Low-Loss
TSA06219CD	62.5	20.25	20.73	22.58	23	0.5	52	20.0x12.6	High Selectivity
TSA6220BV	62.5	20.5	21.3	24.5	14.5	0.3	45	13.3x6.5	Low-Loss
TSL06220FV	62.5	20.6	21.35	24.85	13.5	0.3	47	13.3x6.5	Low-Loss
TSL6220DT	62.5	21.2	22.2	25.6	18	0.3	45	9.1x4.8	Low-Loss
TSL06221AT	62.5	21.3	22.82	29.25	16	0.3	40	9.1x4.8	Low-Loss
TSL6220ET	62.9	21.2	22.2	26.9	18	0.3	45	9.1x4.8	Low-Loss
TSA63BD	63	-	0.45	1.50 (55dB)	14	1	65	20.0x12.6	High Selectivity
TSA6504AF	65	4.04	4.24	5.17	23.5	0.6	55	34.7x12.6	High Selectivity
TSA06509AF	65	9.26	9.45	10.25	20	0.7	50	34.7x12.6	High Selectivity
TSA65HD1	65	10	10.52	12.63	18.5	0.7	55	20.0x9.8	High Selectivity
TSL06516AV	65	16.3	17.05	20.3	12	0.2	45	13.3x6.5	Low-Loss
TSA65DF	65	19.3	19.6	20.8	24.5	0.6	55	34.7x12.6	High Selectivity
TSA06530AD	65	29.99	30.3	31.7	31.5	0.7	48	20.0x12.6	High Selectivity
TSA06503AD1	65.43	3.95	4.3	5.54	22	0.5	52	20.0x9.8	High Selectivity
TSA65ED	65.54	19.23	19.6	20.93	25.5	0.4	55	20.0x12.6	High Selectivity
TSL06506AV	65.8	6.6	7	9.1	16.5	0.3	50	13.3x6.5	Low-Loss
TSL06710AV	67.5	10.7	11.3	14.25	11	0.3	45	13.3x6.5	Low-Loss
TSA6904AF	69.8	4.05	4.27	5.17	22.5	0.6	55	34.7x12.6	High Selectivity
TFS0069Z1	69.99	1.288 (1.5dB)	-	1.476 (35dB)	20.5	0.7	52	73.0x19.9	Base Station
TSA70W1Y	70	0.18	0.33	0.94	8.5	0.4	50	24.6x8.99	High Selectivity
TSA70RD	70	0.18	0.34	1.1	13.5	1.2	55	20.0x12.6	High Selectivity
TSA70UD	70	0.39	0.59	1.39	13.5	0.8	50	20.0x12.6	High Selectivity
TSA70UX	70	0.39	0.59	1.39	13.5	0.8	50	19.0x6.5	High Selectivity
TSA70ED	70	1	1.2	1.95	23	0.4	50	20.0x12.6	High Selectivity
TSA70XX	70	1.1	1.3	2.2	18.5	0.5	45	19.0x6.5	High Selectivity
TSA70S1F	70	1.29	-	1.78	20	0.7	43	34.7x12.6	High Selectivity
TSA70R1X	70	1.3	-	2.36	20	0.8	50	19.0x6.5	High Selectivity

Transko Electronics, Inc reserves the right to make changes to the product (s), service (s), and specification (s) described herein without notice. See "Terms of Sale" for details on our website.

PART NUMBER	CENTER FREQUENCY (MHz)	1dB BAND-WIDTH (MHz)	3dB BAND-WIDTH (MHz)	40dB BAND-WIDTH (MHz)	INSERTION LOSS (dB)	PASSBAND RIPPLE (dB)	ULTIMATE REJECTION (dB)	PKG	REMARKS
TFS0070Z1	70	1.288 (1.5dB)	-	1.473 (35dB)	20	0.6	51	74.6x18.8	Base Station
TSL7003V	70	2.85	3.55	6.18	7.7	0.6	45	13.3x6.5	Low-Loss
TSL7004V	70	3.68	4.46	7.18	8.5	0.8	45	13.3x6.5	Low-Loss
TSA70SD	70	4.3	4.5	5.4	21.5	0.5	40	20.0x12.6	High Selectivity
TSL7005V	70	4.8	5.6	9.1	8.5	0.6	42	13.3x6.5	Low-Loss
TSA07005BD	70	5.28	5.68	7.4	21.6	0.5	53	20.0x12.6	High Selectivity
TSL7005B	70	5.3	5.8	7.85	9.2	0.6	42	13.3x6.5	Low-Loss
TSA07005AD1	70	5.4	5.82	7.54	16	0.5	55	20.0x9.8	High Selectivity
TSL7006V	70	5.6	6.5	9.5	8.5	0.7	42	13.3x6.5	Low-Loss
TSL7006D	70	5.6	6.5	9.5	8.5	0.7	43	20.0x12.6	Low-Loss
TSA07006AF	70	6.4	6.6	7.35	27	0.6	48	34.7x12.6	High Selectivity
TSL7007V	70	6.8	7.8	11	8.5	0.7	42	13.3x6.5	Low-Loss
TSA70ME	70	7	7.3	8.5	20	0.8	55	27.0x12.0	High Selectivity
TSA07007AD1	70	7.28	7.6	8.85	27.5	0.6	50	20.0x9.8	High Selectivity
TSA07007BD1	70	7.62	7.85	8.9	26.5	0.7	50	20.0x9.8	High Selectivity
TSL7009V	70	8.65	9.3	12.3	11	0.6	42	13.3x6.5	Low-Loss
TSA70KF	70	9.32	9.52	10.28	28.5	0.6	55	34.7x12.6	High Selectivity
TSA70C2D1	70	9.3	9.58	10.79	19.5	0.6	55	20.0x9.8	High Selectivity
TSL7010V	70	9.8	10.4	13.1	10.5	0.6	55	13.3x6.5	Low-Loss
TSA70100AF	70	9.95	10.15	11.05	22.5	0.6	55	34.7x12.6	High Selectivity
TSA07010BD1	70	10.4	10.9	12.8	19.5	0.4	55	20.0x9.8	High Selectivity
TSA70105AF	70	10.45	10.67	11.5	23.5	0.7	55	34.7x12.6	High Selectivity
TSA70YD	70	12	12.4	14	23.5	0.8	53	20.0x12.6	High Selectivity
TSL07013AV	70	12	14	14.75	18.5	0.4	45	13.3x6.5	Low-Loss
TSA07014BF	70	14	14.2	15	25.5	0.8	50	34.7x12.6	High Selectivity
TSA07014CF	70	14.25	14.45	15.25	26.5	0.6	50	34.7x12.6	High Selectivity
TSA07014AV	70	14.35	14.82	16.82	23.5	0.7	50	13.3x6.5	High Selectivity
TSA07014EV	70	14.75	15.2	17.1	20	0.7	47	13.3x6.5	High Selectivity
TSA07014AD1	70	14.82	15.15	16.48	21	0.5	55	20.0x9.8	High Selectivity
TSA07015AD1	70	15.35	15.85	17.65	20	0.5	53	20.0x9.8	High Selectivity
TSL7016V	70	15.45	16.42	20.17	12.5	0.5	43	13.3x6.5	Low-Loss
TSA70K1F	70	18.45	18.65	19.5	25.5	0.6	53	34.7x12.6	High Selectivity
TSL7020V	70	18.99	20.05	24.08	15.5	0.5	45	13.3x6.5	Low-Loss
TSA70HD	70	19.1	19.57	21.43	24.5	0.8	53	20.0x12.6	High Selectivity
TSA70HRD	70	19.15	19.6	21.45	24	0.8	53	20.0x12.6	High Selectivity
TSA70J2D	70	19.15	19.47	20.8	22.5	0.7	53	20.0x12.6	High Selectivity
TSL07019AV	70	19.3	19.95	22.95	13	0.5	45	13.3x6.5	Low-Loss
TSA7019AV	70	19.36	19.88	21.77	26	0.6	50	13.3x6.5	High Selectivity
TSL07020BD1	70	20.05	20.5	22.7	19	0.8	48	20.0x9.8	Low-Loss
TSA07020AD1	70	20.1	20.46	21.78	23.5	0.6	54	20.0x9.8	High Selectivity
TSA70G2D1	70	20.1	20.4	21.7	23	0.6	52	20.0x9.8	High Selectivity

Transko Electronics, Inc reserves the right to make changes to the product (s), service (s), and specification (s) described herein without notice. See "Terms of Sale" for details on our website.

PART NUMBER	CENTER FREQUENCY (MHz)	1dB BAND-WIDTH (MHz)	3dB BAND-WIDTH (MHz)	40dB BAND-WIDTH (MHz)	INSERTION LOSS (dB)	PASSBAND RIPPLE (dB)	ULTIMATE REJECTION (dB)	PKG	REMARKS
TSA70P1F	70	20.47	20.75	21.8	23.5	0.6	55	34.7x12.6	High Selectivity
TSL07020AV	70	21.3	22.9	29.7	14	0.4	42	13.3x6.5	Low-Loss
TSA70D1F	70	25.65	26.25	28.45	24.2	0.7	55	34.7x12.6	High Selectivity
TSA70H2D1	70	26.3	26.7	28.3	25.5	0.7	50	20.0x9.8	High Selectivity
TSL7040AD	70	39.7	40.8	46.8	20.5	0.5	40	20.0x12.6	Low-Loss
TSA70119AF	70.1	19	19.2	20.1	23.5	0.6	55	34.7x12.6	High Selectivity
TSA7019BV	70.1	19.51	19.98	21.88	27.5	0.8	45	13.3x6.5	High Selectivity
TSA7019CV	70.1	19.83	20.36	22.38	27	0.6	50	13.3x6.5	High Selectivity
TSA7410AD1	74.9875	10.05	10.35	11.65	20	0.5	50	20.0x9.8	High Selectivity
TSA75AD	74.9875	1	1.2	1.95	23	0.4	50	20.0x12.6	High Selectivity
TSL07504AV	75	4.7	5.25	7	13	0.3	45	13.3x6.5	Low-Loss
TSL07505AV	75	5.3	5.95	8.4	13	0.3	45	13.3x6.5	Low-Loss
TSL07505CT	75	5.42	6.1	8.7	13.5	0.3	45	9.1x4.8	Low-Loss
TSL07505BT	75	5.6	6.6	10.55	9	0.4	45	9.1x4.8	Low-Loss
TSL07507BV	75	7.1	7.85	10.35	14	0.3	45	13.3x6.5	Low-Loss
TSL07507AT	75	7.65	8.56	12.15	10	0.4	45	9.1x4.8	Low-Loss
TSA07509AD1	75	9.82	10.15	11.7	20	0.4	50	20.0x9.8	High Selectivity
TSL07510AV	75	10.5	11.2	13.9	12	0.4	45	13.3x6.5	Low-Loss
TSA07511AD1	75	11.65	11.95	13.3	20.5	0.6	55	20.0x9.8	High Selectivity
TSA07511BV	75	11.9	12.4	14.55	22	0.6	53	13.3x6.5	High Selectivity
TSL07515DT	75	14.8	15.65	19.85	13.5	0.5	47	9.1x4.8	Low-Loss
TSL07514AV	75	14.83	15.4	18	14	0.4	47	13.3x6.5	Low-Loss
TSL07515CT	75	15.5	16.35	20	12.5	0.4	45	9.1x4.8	Low-Loss
TSL7515BT	75	16.2	16.95	20.7	13	0.5	45	9.1x4.8	Low-Loss
TSL7520EV	75	20.5	21.6	25.7	16.5	0.5	45	13.3x6.5	Low-Loss
TSL7520GV	75	20.6	21.4	25.1	13.5	0.3	48	13.3x6.5	Low-Loss
TSL07524AV	75	24.35	25.15	29.1	16	0.4	45	13.3x6.5	Low-Loss
TSL07526BV	75	26.25	26.92	30.15	15.5	0.5	47	13.3x6.5	Low-Loss
TSA07526AD	75	26.65	27.15	28.95	26.5	0.6	53	20.0x12.6	High Selectivity
TSA07526AD1	75	26.65	27.15	28.95	26.5	0.6	53	20.0x9.8	High Selectivity
TSL07526AV	75	26.7	27.9	33.2	16.5	0.4	45	13.3x6.5	Low-Loss
TSA07527AD1	75	27.1	27.65	29.65	26	0.6	53	20.0x9.8	High Selectivity
TSL07527DV	75	27.15	27.9	31.4	14.5	0.3	47	13.3x6.5	Low-Loss
TSL07527BT	75	27.2	28.2	33.4	17	0.3	42	9.1x4.8	Low-Loss
TSA07530CF	75	29.11	29.32	30.25	27	0.9	50	34.7x12.6	High Selectivity
TSL07529AV	75	29.6	30.8	36.2	17	0.3	47	13.3x6.5	Wibro
TSL7530V	75	29.9	31	35.2	17	0.7	45	13.3x6.5	Low-Loss
TSA07530AD1	75	29.97	30.36	32.08	27.5	0.8	50	20.0x9.8	High Selectivity
TSL07530AD1	75	30.25	30.99	34.6	18.7	0.4	47	20.0x9.8	Low-Loss
TSA07540ED1	75	40.1	40.58	42.4	33.5	1.2	48	20.0x9.8	High Selectivity
TSA07540FD1	75	40.12	40.58	42.52	31.7	0.7	48	34.7x12.6	High Selectivity

Transko Electronics, Inc reserves the right to make changes to the product (s), service (s), and specification (s) described herein without notice. See "Terms of Sale" for details on our website.

PART NUMBER	CENTER FREQUENCY (MHz)	1dB BAND-WIDTH (MHz)	3dB BAND-WIDTH (MHz)	40dB BAND-WIDTH (MHz)	INSERTION LOSS (dB)	PASSBAND RIPPLE (dB)	ULTIMATE REJECTION (dB)	PKG	REMARKS
TSL07540AV	75	40.3	41.25	44.6	22.5	0.5	45	13.3x6.5	Low-Loss
TSL07540BD1	75	40.6	41.35	44.65	27	0.6	45	20.0x9.8	Low-Loss
TSL07540CV	75	41	41.95	45.95	21.5	0.4	38	13.3x6.5	Low-Loss
TSL07540FV	75	41.3	42.3	46.1	21.5	0.3	40	13.3x6.5	Low-Loss
TSL07527CT	75.1	27.5	28.45	33.5	18.5	0.3	42	9.1x4.8	Low-Loss
TSA07703AF	77.8	3.95	4.15	4.85	24.5	0.8	53	34.7x12.6	High Selectivity
TSA07920BV	79.9	20.25	20.6	22.2	24	0.5	50	13.3x6.5	High Selectivity
TSA08020AD1	80	20.2	20.5	21.8	23	0.5	52	20.0x9.8	High Selectivity
TSL08020BD1	80	20	20.35	22.65	17.5	0.6	45	20.0x9.8	Low-Loss
TSA08030AD1	80	30.2	30.6	32.65	25.5	0.6	50	20.0x9.8	High Selectivity
TSA08030BD1	80	29.95	30.22	31.45	27.5	0.7	50	20.0x9.8	High Selectivity
TSA08020BD1	80.1	20.1	20.45	21.8	21.5	0.7	52	20.0x9.8	High Selectivity
TSA08202AD1	82.5	2.7	3.05	4.5	20	0.4	53	20.0x9.8	High Selectivity
TSA08203AF	82.8	4	4.16	4.87	24	0.7	53	34.7x12.6	High Selectivity
TSA8302AV	83.0625	2.8	3.78	3.92	21.5	0.3	48	13.3x6.5	High Selectivity
TSA08426AV	84	26.2	27.6	28.2	26	0.6	45	13.3x6.5	High Selectivity
TSA08520BV	85	20.45	20.88	22.65	23.5	0.5	52	13.3x6.5	High Selectivity
TSA08529AF	85	29.12	29.3	30.2	27	1.2	52	34.7x12.6	High Selectivity
TSA08520AD1	85.1	19.7	20	21.4	23	0.6	52	20.0x9.8	High Selectivity
TSL08520AV	85.1	20.5	21.35	25.1	11.5	0.4	47	13.3x6.5	Low-Loss
TSA82B1D	85.2	18	18.4	19.9	24.5	0.5	55	20.0x12.6	High Selectivity
TSA87AD	87.2	7.6	8	9.7	20.5	0.5	55	20.0x12.6	High Selectivity
TSL08702AV	87.5	2.4	2.9	4.9	10.5	0.2	48	13.3x6.5	Low-Loss
TSA08703AF	87.6	4	4.16	4.84	24	0.6	53	34.7x12.6	High Selectivity
TSL09029AV	90	29.15	30.15	34.35	13.5	0.3	47	13.3x6.5	Wimax
TSA09019AF	90.1	19.1	19.25	20.05	28	1.1	52	34.7x12.6	High Selectivity
TSA09102AV	91.25	2.08	2.38	3.55	20.5	0.2	45	13.3x6.5	High Selectivity
TSA09203AF	92.4	3.95	4.13	4.88	23.5	0.9	53	34.7x12.6	High Selectivity
TSL9515V	95	14	14.5	17.2	12.5	0.5	48	13.3x6.5	Low-Loss
TSL09519AV	95	19.4	20.15	23.25	15	0.5	45	13.3x6.5	Low-Loss
TSL09559AV	95	59.4	60.7	66.2	25	0.6	40	13.3x6.5	Low-Loss
TSL09622AS	96	22	23.4	28.3	9.5	0.6	45	7.0x5.0	Low-Loss
TSL9635V	96	36	36.8	40	17	1.2	47	13.3x6.5	Low-Loss
TSA09819AF	98	19.9	20.1	20.95	27	0.8	53	34.7x12.6	Digital-TV
TSA100CX	100	0.34	0.55	1.38	13.5	0.8	50	19.0x6.5	High Selectivity
TSL1028V	100	28.1	29	33.3	17.5	0.5	47	13.3x6.5	Wibro
TSL10003AF	100.5	3.05	3.2	3.75	23.5	0.4	47	34.7x12.6	High Selectivity
TSA10309AD1	103	9.9	10.2	11.45	21	0.5	53	20.0x9.8	High Selectivity
TSL10405AV	104	5.6	5.98	7.7	14	0.5	50	13.3x6.5	Low-Loss
TSA10514AD1	105.51	14.18	14.5	15.8	21.5	0.6	52	20.0x9.8	High Selectivity
TSL10920AV	109.5	20.3	20.9	24	13.5	0.5	45	13.3x6.5	Low-Loss

Transko Electronics, Inc reserves the right to make changes to the product (s), service (s), and specification (s) described herein without notice. See "Terms of Sale" for details on our website.

PART NUMBER	CENTER FREQUENCY (MHz)	1dB BAND-WIDTH (MHz)	3dB BAND-WIDTH (MHz)	40dB BAND-WIDTH (MHz)	INSERTION LOSS (dB)	PASSBAND RIPPLE (dB)	ULTIMATE REJECTION (dB)	PKG	REMARKS
TSA10920AD1	109.5	20.35	20.8	22.45	21.5	0.5	50	20.0x9.8	High Selectivity
TSL110AS	110	1.32 (5dB)	-	1.78 (33dB)	10	0.5	32	7.0x5.0	CDMA Modem
TSA11020BD1	110	20.25	20.55	21.75	20	0.5	52	20.0x9.8	High Selectivity
TSA11002AV	110	2.15	2.45	3.6	20	0.3	47	13.3x6.5	High Selectivity
TSA11004AV	110	4.8	5.1	6.35	19	0.6	48	13.3x6.5	High Selectivity
TSA11020CV	110	20.35	20.74	22.39	21.5	0.7	52	13.3x6.5	High Selectivity
TSA11003AD1	110.43	3.9	4.25	5.66	20	0.4	53	20.0x9.8	High Selectivity
TSA11214AD1	112.5	14.45	14.7	16	23.5	0.6	53	20.0x9.8	High Selectivity
TFS0114Z1	114.99	1.64 (0.5dB)	-	3.48 (50dB)	18.5	0.6	50	24.7x12.6	Base Station
TSA11505AD1	115	5.3	5.55	6.75	22	0.6	50	20.0x9.8	High Selectivity
TSA11505BD	115	5.45	5.8	7.35	21.5	0.5	53	20.0x12.6	High Selectivity
TSA11507AD1	115	7.28	8.08	8.82	22.5	0.5	52	20.0x9.8	High Selectivity
TSA11507BD1	115	7.54	7.82	8.87	24	0.7	52	20.0x9.8	High Selectivity
TSA11509BF	115	9.58	9.85	10.85	22.5	0.6	53	34.7x12.6	High Selectivity
TSA115BF	115	25.6	26.25	28.6	23	0.7	55	34.7x12.6	High Selectivity
TSA115CD1	115	26	26.5	28.6	22	0.7	50	20.0x9.8	High Selectivity
TSA11530AD1	115	29.94	30.3	31.95	24.5	0.8	52	20.0x9.8	High Selectivity
TSA11714CF	117.5	14.63	14.9	15.9	24.5	0.7	52	34.7x12.6	High Selectivity
TSA11909AD1	119.6875	9.8	10.15	11.4	24.5	0.5	53	20.0x9.8	High Selectivity
TSA11919BF	119.9	19.04	19.2	20.1	29.8	0.7	53	34.7x12.6	High Selectivity
TSA11919CF	119.9	19.14	19.3	20.05	28	0.7	53	34.7x12.6	High Selectivity
TFS0120Z1	120	0.97 (1.5dB)	1.64 (35dB)	1.77 (50dB)	19	0.8	54	27.0x12.0	Base Station
TSL120AM1	120	4.00 (3dB)	-	8.88 (33dB)	8	0.5	25	3.0x3.0	CDMA Modem
TSA120ED1	120	9.24	9.54	10.75	24.5	0.6	56	20.0x9.8	High Selectivity
TSA12009AD1	120	9.7	10.08	11.6	24.5	0.5	55	20.0x9.8	High Selectivity
TSA12011BV	120	11.45	12.1	14.6	25.5	0.5	53	13.3x6.5	High Selectivity
TSA12011AD1	120	11.6	11.9	13.35	25.5	0.5	55	20.0x9.8	High Selectivity
TSA12014AV	120	14.35	14.8	16.75	20	0.8	53	13.3x6.5	High Selectivity
TSA12014AD1	120	14.7	15	16.3	23.5	0.5	55	20.0x9.8	High Selectivity
TSA12014BV	120	14.82	15.25	17.13	22.5	0.8	53	13.3x6.5	High Selectivity
TSA12019AV	120	19.45	19.9	21.7	20.5	0.6	53	13.3x6.5	High Selectivity
TSL12020CD1	120	20.1	20.6	22.55	15	0.6	48	20.0x9.8	Low-Loss
TSA120CD1	120	20.2	20.5	21.8	21.5	0.7	50	20.0x9.8	High Selectivity
TSA120DD1	120	20.25	20.55	21.85	24	0.6	53	20.0x9.8	High Selectivity
TSL12022AV	120	22.05	23.1	28.4	11.5	0.3	45	13.3x6.5	Low-Loss
TSA12019BV	120.1	19.77	20.18	21.9	20.5	0.6	52	13.3x6.5	High Selectivity
TSA12019CV	120.1	19.96	20.35	22.02	20.5	0.6	52	13.3x6.5	High Selectivity
TSL12509AV	125	9.4	10.1	13.3	17.5	0.5	48	13.3x6.5	Low-Loss
TSL12509BV	125	9.6	10.3	13.1	20.5	0.5	48	13.3x6.5	High Selectivity
TSL12510AV	125	10.85	11.45	13.8	17.5	0.3	48	13.3x6.5	Low-Loss
TSL12528V	125	28.5	29.5	33.3	15.5	0.3	47	13.3x6.5	Low-Loss

Transko Electronics, Inc reserves the right to make changes to the product (s), service (s), and specification (s) described herein without notice. See "Terms of Sale" for details on our website.

PART NUMBER	CENTER FREQUENCY (MHz)	1dB BAND-WIDTH (MHz)	3dB BAND-WIDTH (MHz)	40dB BAND-WIDTH (MHz)	INSERTION LOSS (dB)	PASSBAND RIPPLE (dB)	ULTIMATE REJECTION (dB)	PKG	REMARKS
TSA12530DF	125	29.16	29.36	30.25	28.5	0.9	50	34.7x12.6	High Selectivity
TSL12529AV	125	29.9	31.1	36.9	12	0.3	45	13.3x6.5	Wibro
TSA12530AD	125	29.98	30.3	31.75	24.5	0.7	50	20.0x12.6	High Selectivity
TSL12530N	125	30.5	31.5	35.8	17.5	0.4	48	13.3x6.5	Wibro
TSL12802AV	128.0625	2.25	2.55	3.9	20	0.4	53	13.3x6.5	High Selectivity
TSL12904BF	128.0625	4.35	4.55	5.1	25	0.5	53	34.7x12.6	High Selectivity
TSL13007AV	130.9	7.65	8.45	11.95	16.5	0.4	48	13.3x6.5	Low-Loss
TSL13007BS1	130.9	7.8	8.7	12.4	16	0.5	45	7.0x5.0	Low-Loss
TSA13326AV	133.5	26.2	26.7	28.7	22.5	0.8	48	13.3x6.5	High Selectivity
TSA13326BD1	133.5	26.2	27.15	28.15	23.5	0.8	53	20.0x9.8	High Selectivity
TSL13507AV	135	7.6	8.5	12	17	0.4	48	13.3x6.5	Low-Loss
TSL13507BS1	135	7.8	8.6	12.5	17	0.5	45	7.0x5.0	Low-Loss
TSA13510AD1	135	10.15	10.5	11.85	25.5	0.7	52	20.0x9.8	High Selectivity
TSL13510BD1	135	10	10.52	12.8	16	0.5	48	20.0x9.8	Low-Loss
TSA13602AV	136.25	2.05	2.35	3.65	18.5	0.4	53	13.3x6.5	High Selectivity
TSL137050AV	137.5	5.3	5.9	8.35	13	0.3	48	13.3x6.5	Low-Loss
TSL13820AV	138.24	21.95	23.23	28.25	10.5	0.5	45	13.3x6.5	Low-Loss
TSL13820BS	138.24	22.4	23.7	30	9.5	0.3	45	7.0x5.0	Low-Loss
TSL1405V	140	4.25	5.1	7.7	10.5	0.3	50	13.3x6.5	Low-Loss
TSA140048AE	140	4.8	5.08	6.32	23	0.4	55	27.0x12.0	High Selectivity
TSL1407V	140	6.7	7.6	10.45	12	0.4	48	13.3x6.5	Low-Loss
TSL1408V	140	7.9	9.2	13.3	6.5	0.6	45	13.3x6.5	Low-Loss
TSL1410V	140	9	9.9	14.5	10.5	0.6	45	13.3x6.5	Low-Loss
TSL1410B	140	9.3	10.1	12.9	13.5	0.4	45	13.3x6.5	Low-Loss
TSL1415V	140	13.84	15.05	18.37	8	0.6	45	13.3x6.5	Low-Loss
TSA140143AE	140	14.3	14.67	16.2	27	0.4	55	27.0x12.0	High Selectivity
TSA140141AV	140	14.8	15.5	18.5	18	0.6	45	13.3x6.5	Low-Loss
TSL1418T	140	18.2	19.2	22.80 (35dB)	8.5	0.6	45	9.1x4.8	Low-Loss
TSL14020AV	140	20.8	21.75	26.05	11	0.6	45	13.3x6.5	Low-Loss
TSA140CD	140	24.8	25.5	28.6	26.5	0.5	55	20.0x12.6	High Selectivity
TSL1428V	140	28	29	32.8	14.5	0.5	50	13.3x6.5	Low-Loss
TSL142050AV	142.5	5.2	5.8	8.2	12.5	0.3	48	13.3x6.5	Low-Loss
TSA14510CF	145	9.2	9.37	10.15	28	0.7	52	34.7x12.6	High Selectivity
TSA14510DF	145	9.25	9.45	10.21	25.5	0.7	52	34.7x12.6	High Selectivity
TSL14509BD1	145	9.9	10.4	12.65	15.5	0.4	48	20.0x9.8	Low-Loss
TSA14510AD1	145	10.3	10.6	11.9	25	0.6	53	20.0x9.8	High Selectivity
TSA14514AV	145	14.4	14.86	16.75	18	0.7	53	13.3x6.5	High Selectivity
TSA14516AD1	145	16.25	16.58	17.9	20.6	0.7	50	20.0x9.8	High Selectivity
TSL14526AD1	145	27.05	27.7	30.9	17.6	0.4	42	20.0x9.8	Low-Loss
TSL14704AV	147	4	4.9	7.5	10.8	0.4	45	13.3x6.5	Low-Loss
TSL14710AV	147	9	10.1	14.4	7.8	0.6	45	13.3x6.5	Low-Loss

Transko Electronics, Inc reserves the right to make changes to the product (s), service (s), and specification (s) described herein without notice. See "Terms of Sale" for details on our website.

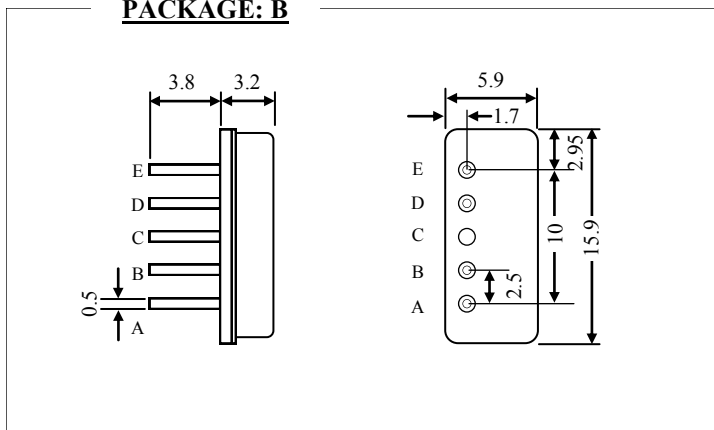
PART NUMBER	CENTER FREQUENCY (MHz)	1dB BAND-WIDTH (MHz)	3dB BAND-WIDTH (MHz)	40dB BAND-WIDTH (MHz)	INSERTION LOSS (dB)	PASSBAND RIPPLE (dB)	ULTIMATE REJECTION (dB)	PKG	REMARKS
TSL14710BV	147	10.5	11.4	16.1	8.2	0.6	50	13.3x6.5	Low-Loss
TSA150BX	150	1.31	1.54	2.22	22	0.4	50	19.0x6.5	High Selectivity
TSA15006AF	150	6.5	6.65	7.35	28.5	0.9	52	34.7x12.6	High Selectivity
TSA153AX	153	2	2.3	3.3	19	0.4	45	19.0x6.5	High Selectivity
TSL15320AS1	153.6	23.5	24.9	31.7	9	0.6	47	7.0x5.0	Low-Loss
TSL15640AV	156	45.43	-	53.7	17	0.4	50	13.3x6.5	High Selectivity
TSA160FD	160	1.35 (1.5dB)	1.5	2.38 (50dB)	19	0.6	53	20.0x12.6	High Selectivity
TSA160FX	160	1.37 (1.5dB)	2.25 (35dB)	2.38 (50dB)	17	0.5	53	19.0x6.5	High Selectivity
TSA16004AV	160	4.55	5.3	8	21	0.5	53	13.3x6.5	High Selectivity
TSA160PV	160	9.2	9.5	10.85	23	0.6	50	13.3x6.5	High Selectivity
TSL1610V	160	9.52	10.45	13.2	16.5	0.5	47	13.3x6.5	Low-Loss
TSA16009CF	160	9.8	10.05	11	24.5	0.6	55	34.7x12.6	High Selectivity
TSL16010BD1	160	10.05	10.6	12.8	18.5	0.6	48	20.0x9.8	Low-Loss
TSA16020AD1	160	20	20.4	21.9	27.5	0.8	50	20.0x9.8	High Selectivity
TSA16214BF	162.5	14.85	15.1	16.15	26.5	0.8	50	34.7x12.6	High Selectivity
TSL17408AS1	174	8.15	9.35	13.3	12.5	0.3	45	7.0x5.0	Low-Loss
TSL17410AS1	174	10.5	11.5	15.6	14	0.3	47	7.0x5.0	Low-Loss
TSA183AS1	183.6	1.32 (5dB)	-	1.72 (33dB)	7.3	0.35	37	7.0x5.0	CDMA (SA183AS1)
TSA18405AV	184	5.65	6	7.4	23.5	0.3	45	13.3x6.5	High Selectivity
TSA18410AD1	184	10.8	11.2	12.65	27	0.5	50	20.0x9.8	High Selectivity
TSA18415AV	184	15.45	15.9	17.6	28.5	0.6	50	13.3x6.5	High Selectivity
TSA18765AV	187.5	65.5	66.65	71	28.5	0.8	50	13.3x6.5	High Selectivity
TSL19213AS1	192	12	13.15	17.45	12	0.4	47	7.0x5.0	Low-Loss
TSA19805AF	198.5	5.18	5.3	5.85	28	1.5	48	34.7x12.6	High Selectivity
TSL20111AS1	201	11.35	12.5	16.75	12.5	0.3	45	7.0x5.0	Low-Loss
TSL20112AS	201	12.95	14.15	19.75	15.5	0.6	40	7.0x5.0	Low-Loss
TSA20502AV	205	2.25	2.55	3.8	20	0.4	52	13.3x6.5	High Selectivity
TSA20504AV	205	4.8	5.18	6.45	23	0.5	47	13.3x6.5	High Selectivity
TSL21120AS1	211.2	20.8	22.8	27.65	17.5	0.7	48	7.0x5.0	Low-Loss
TSA218AF	218.64	1.72	1.88	2.55	23.5	0.7	53	34.7x12.6	High Selectivity
TSA221AD	221.288	6.85	7.1	8.05	24.5	0.7	50	20.2x12.6	High Selectivity
TSA222AF	222.064	1.75	1.89	2.53	23.5	0.7	53	34.7x12.6	High Selectivity
TSA223AF	223.936	1.72	1.89	2.55	22.5	0.8	53	34.7x12.6	High Selectivity
TSA23705AF	237.5	5.17	5.3	5.85	29	1.5	48	34.7x12.6	High Selectivity
TSL24028AV	240	28	29.15	33.8	15.5	0.4	48	13.3x6.5	Low-Loss
TSA246BS	246	0.15	0.2	0.6	4.5	1.2	60	7.0x5.0	RF Module
TSL3002V	300	2.55	3.65	9.75	17.5	1	55	13.3x6.5	Low-Loss
TSL3007S	300	7.4	9.2	15.4	14	0.6	45	13.3x6.5	Low-Loss
TSL3020S	300	21.95	23.55	31	10.5	0.7	40	13.3x6.5	Low-Loss
TSL32044AV	320	43.4	44.75	50.6	14.5	0.5	45	13.3x6.5	Low-Loss
TSL37410AS	374	11.6	13.05	18.1	16	0.4	48	7.0x5.0	WiMax

Transko Electronics, Inc reserves the right to make changes to the product (s), service (s), and specification (s) described herein without notice. See "Terms of Sale" for details on our website.

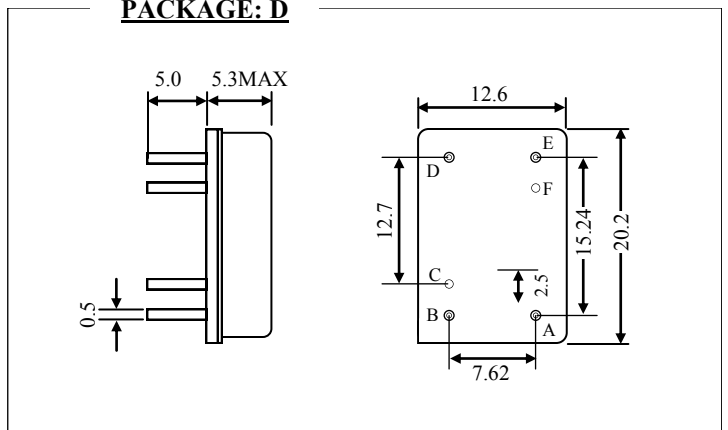
PART NUMBER	CENTER FREQUENCY (MHz)	1dB BAND-WIDTH (MHz)	3dB BAND-WIDTH (MHz)	40dB BAND-WIDTH (MHz)	INSERTION LOSS (dB)	PASSBAND RIPPLE (dB)	ULTIMATE REJECTION (dB)	PKG	REMARKS
TSL38003AS	380	4.35	5.1	8.6	15.5	0.5	48	7.0x5.0	WiMax
TSA38004AV	380	4.1	4.57	6.2	20.5	0.6	50	13.3x6.5	High Selectivity
TSL38007AS	380	8.9	10.17	15.05	15.8	0.6	48	7.0x5.0	WiMax
TSL38010AS	380	10.65	13.35	22.9	8	0.5	40	7.0x5.0	Low-Loss
TSL38010BS	380	11.75	13.1	18.1	16	0.4	48	7.0x5.0	WiMax
TSA456AS	456	-	7.6	12.6	14.5	1	43	7.0x5.0	WiMax

DIMENSIONS

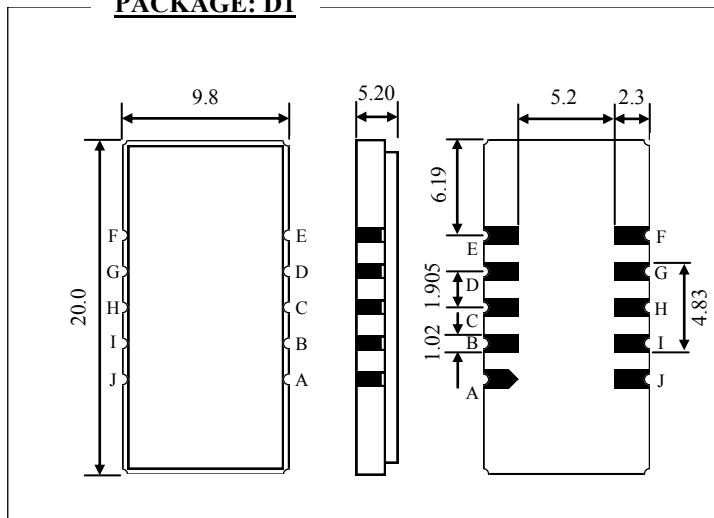
PACKAGE: B



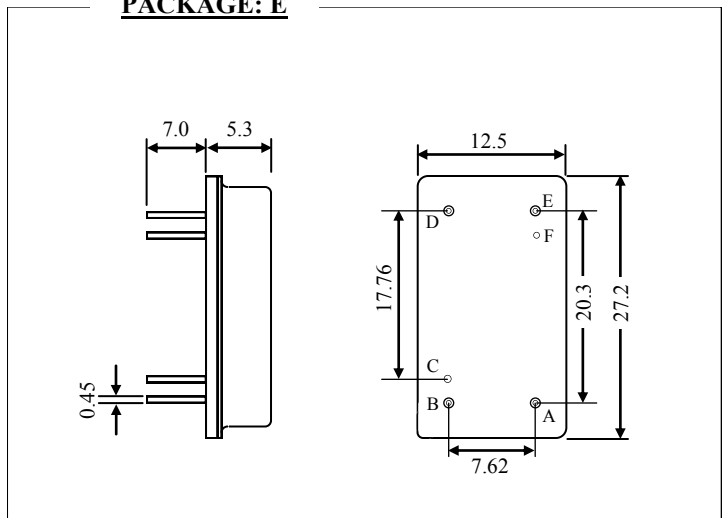
PACKAGE: D



PACKAGE: D1



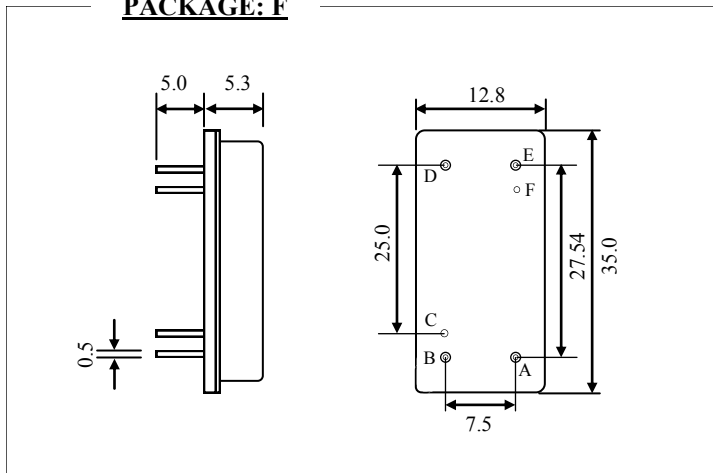
PACKAGE: E



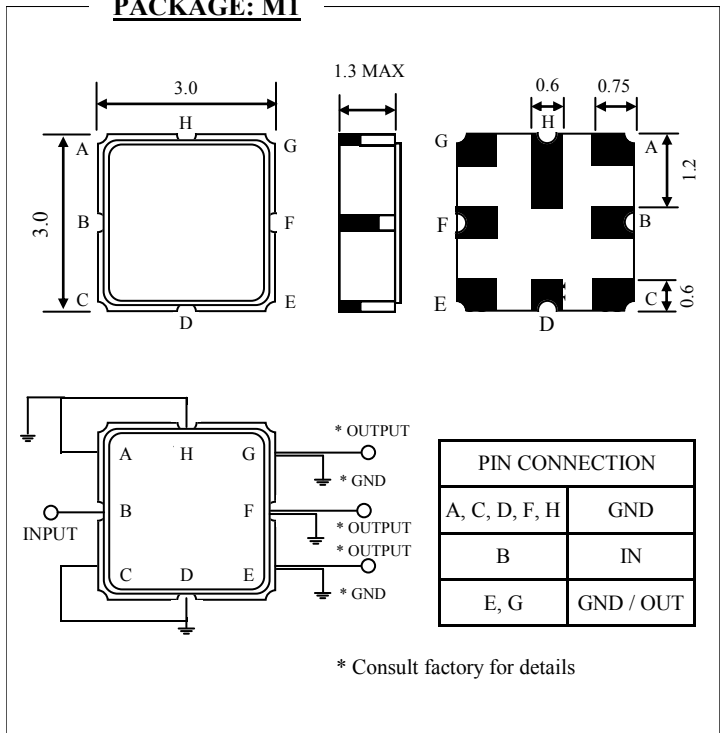
Transko Electronics, Inc reserves the right to make changes to the product (s), service (s), and specification (s) described herein without notice. See "Terms of Sale" for details on our website.

DIMENSIONS

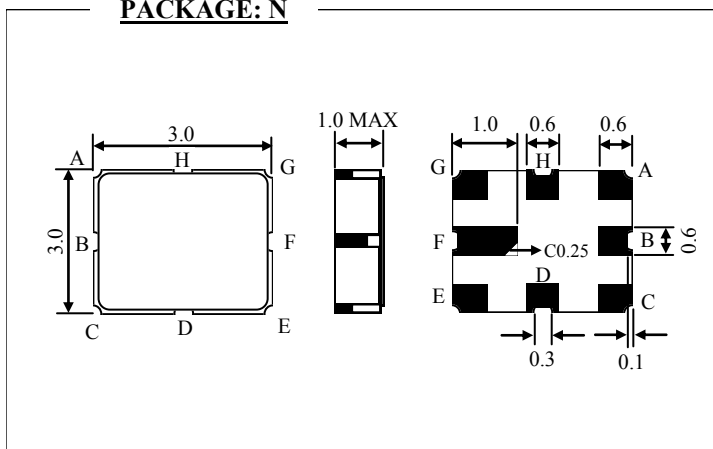
PACKAGE: F



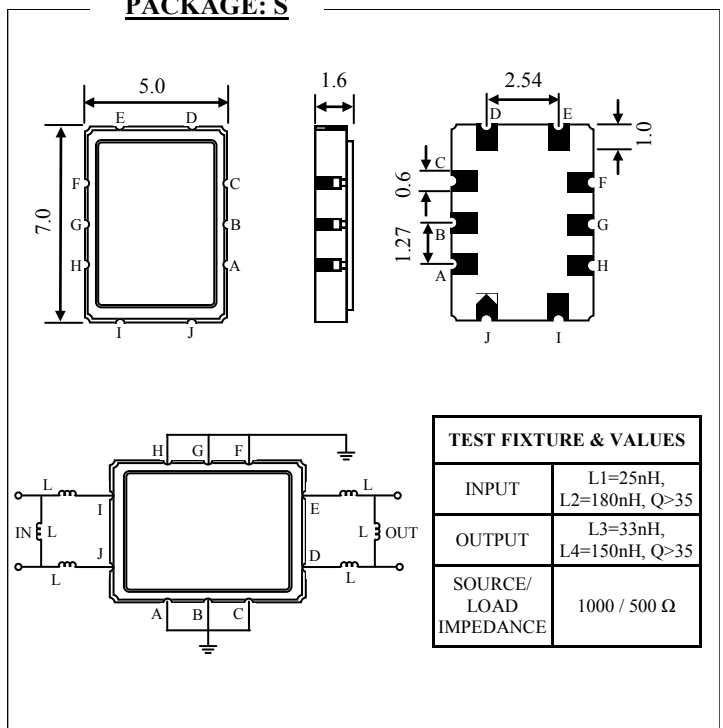
PACKAGE: M1



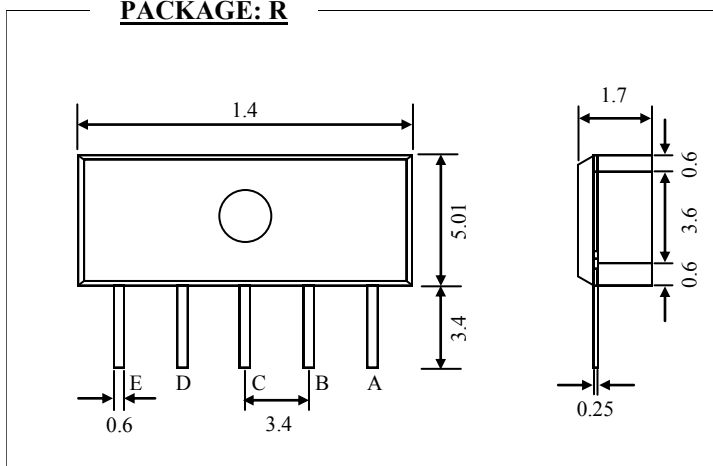
PACKAGE: N



PACKAGE: S

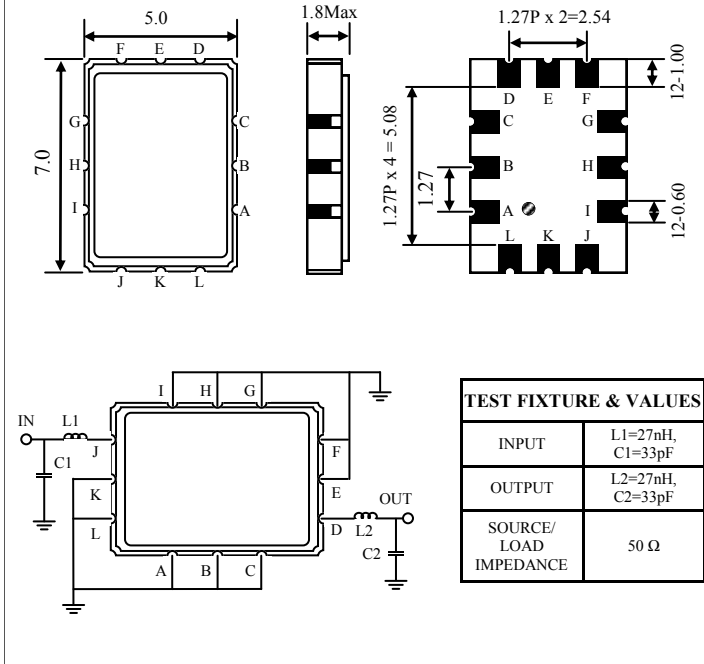


PACKAGE: R

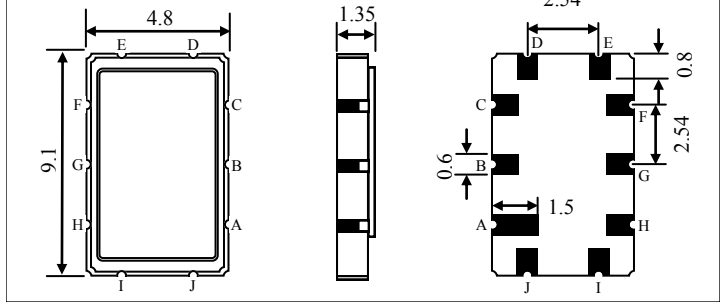


DIMENSIONS

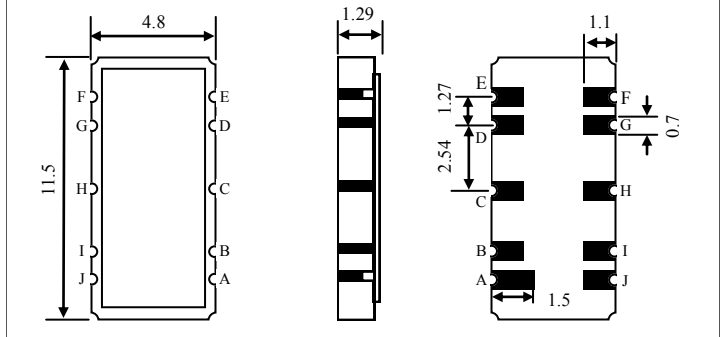
PACKAGE: S1



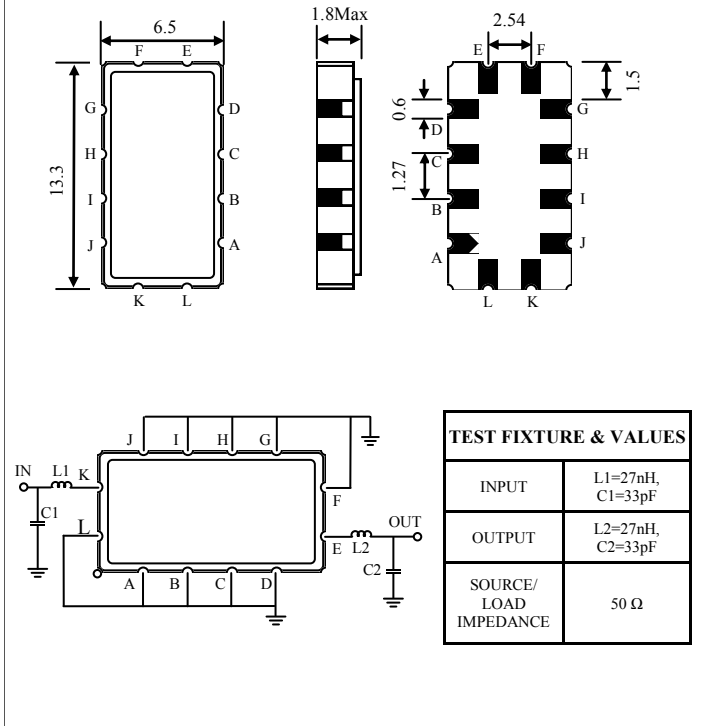
PACKAGE: T



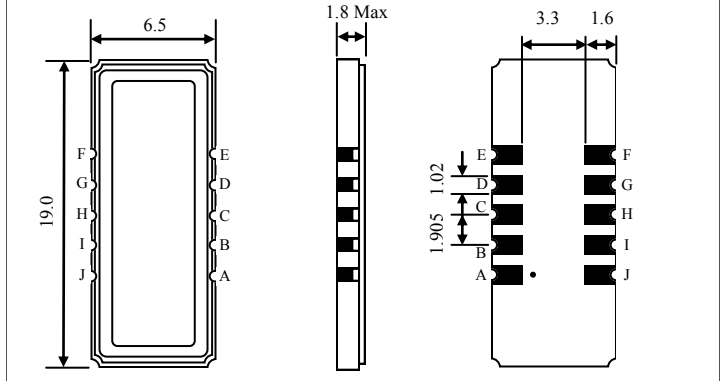
PACKAGE: U7



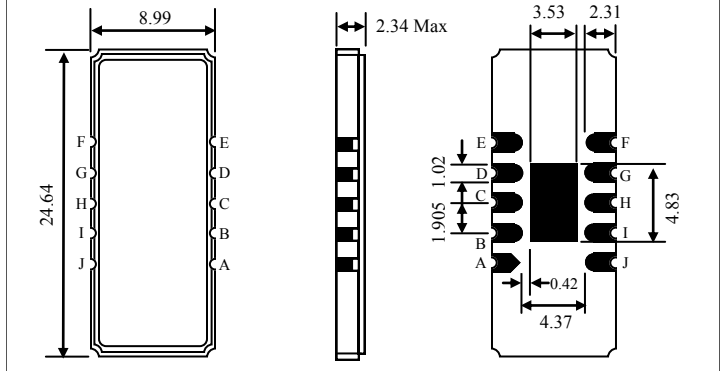
PACKAGE: V



PACKAGE: X



PACKAGE: Y



Transko Electronics, Inc reserves the right to make changes to the product (s), service (s), and specification (s) described herein without notice. See "Terms of Sale" for details on our website.