

PLASTIC MOLDED SMD TUNING FORK CRYSTAL (7.0 x 1.5 x 1.4mm)

FEATURES:

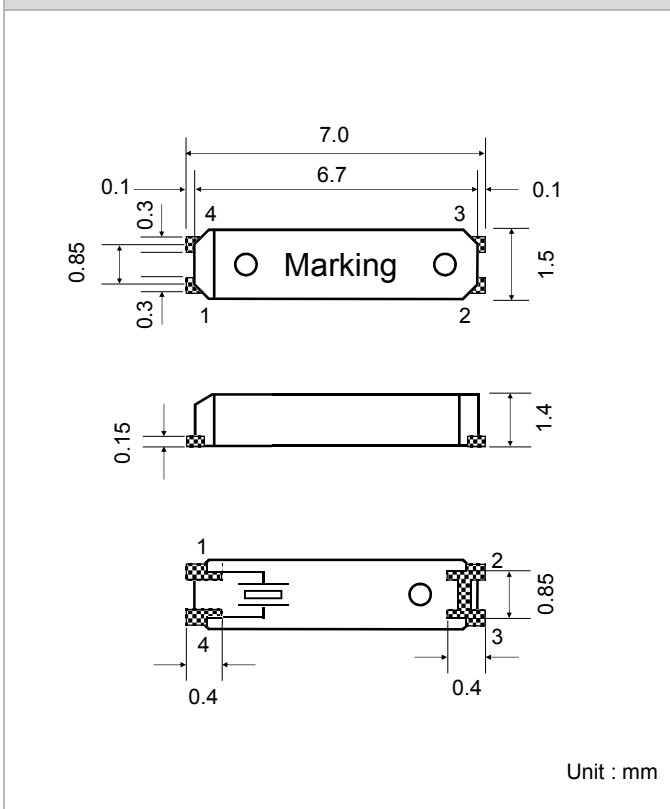
- MINITURE TUNING FORK CRYSTAL
- LOW PROFILE FOR HIGH DENSITY PCB DESIGN
- INDUSTRIAL OPERATING TEMPERATURE RANGE (-40°C ~ 85°C)



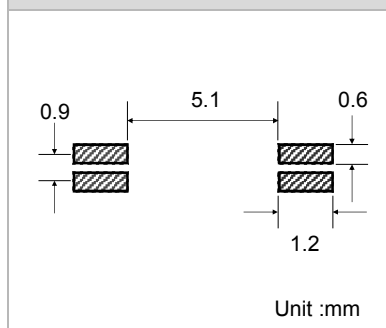
■ SPECIFICATION

FREQUENCY RANGE	32.768kHz
FREQUENCY TOLERANCE @ 25°C	±20ppm, ±50ppm
TEMPERATURE COEFFICIENT	-0.034ppm ±0.006 ppm / °C ²
OPERATING TEMPERATURE RANGE	-40°C ~ 85°C
STORAGE TEMPERATURE RANGE	-55°C ~ 125°C
TURN OVER TEMPERATURE	25°C ± 5°C
LOAD CAPACITANCE	STD: 12.5pF (See P/N guide for other options)
SHUNT CAPACITANCE	1.20pF typ.
MOTIONAL CAPACITANCE	0.0023pF typ.
EQUIVALENT SERIES RESISTANCE	65kΩ max.
INSULATION RESISTANCE	500MΩ min. @ 100V _{DC} ± 15V _{DC}
DRIVE LEVEL	0.1μW typ. 1.0μW max.
AGING @ 25°C ± 3°C	±3.0ppm/ 1 st year max.
SHOCK	±5.0ppm max.
VIBRATION	±5.0ppm max.

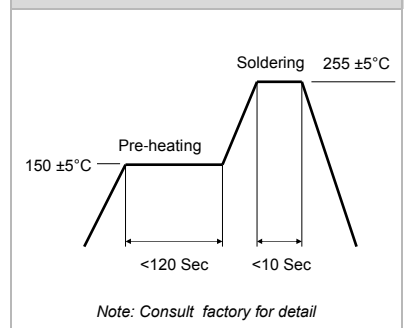
■ PACKAGE DIMENSIONS



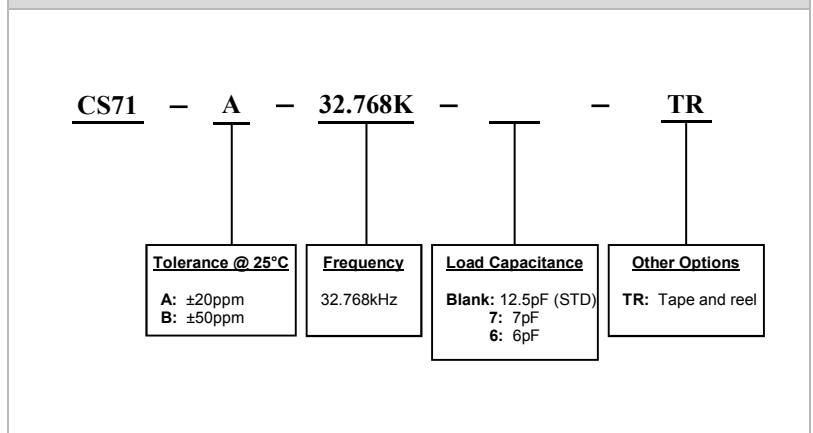
■ SOLDER PATTERN



■ REFLOW PROFILE



■ PART NUMBERING GUIDE



Transko Electronics, Inc reserves the right to make changes to the product (s), service (s), and specification (s) described herein without notice. See "Terms of Sale" for details on our website.