

- ISM Band Application
- Smart Meters
- Useable Passband 82Mhz

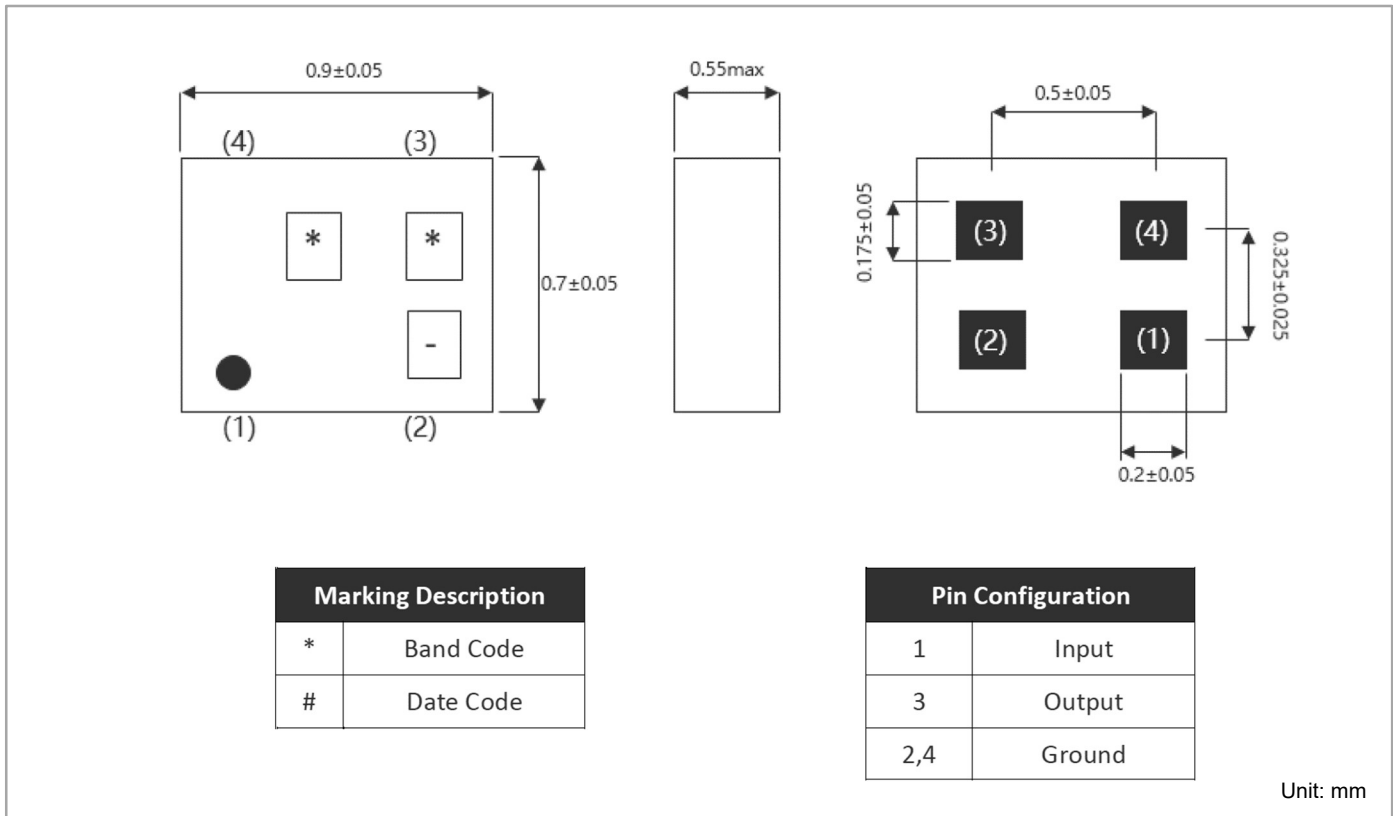
Electrical Characteristics

MAXIMUM RATING				
PARAMETERS DESCRIPTION	UNIT	MINIMUM	TYPICAL	MAXIMUM
Operating Temperature Range	°C	-20	-	+85
Storage Temperature Range	°C	-40	-	+85
DC Voltage	V	-	-	3
Input Power	dBm	-	-	26
Source Impedance	Ω	-	50	-
Load Impedance	Ω	-	50	-
Package type & size	B			
Length x Width	mm ²	-	0.9 x 0.7	0.95 x 0.75
Height	mm	-	-	0.55
Moisture Sensitivity Levels			3	

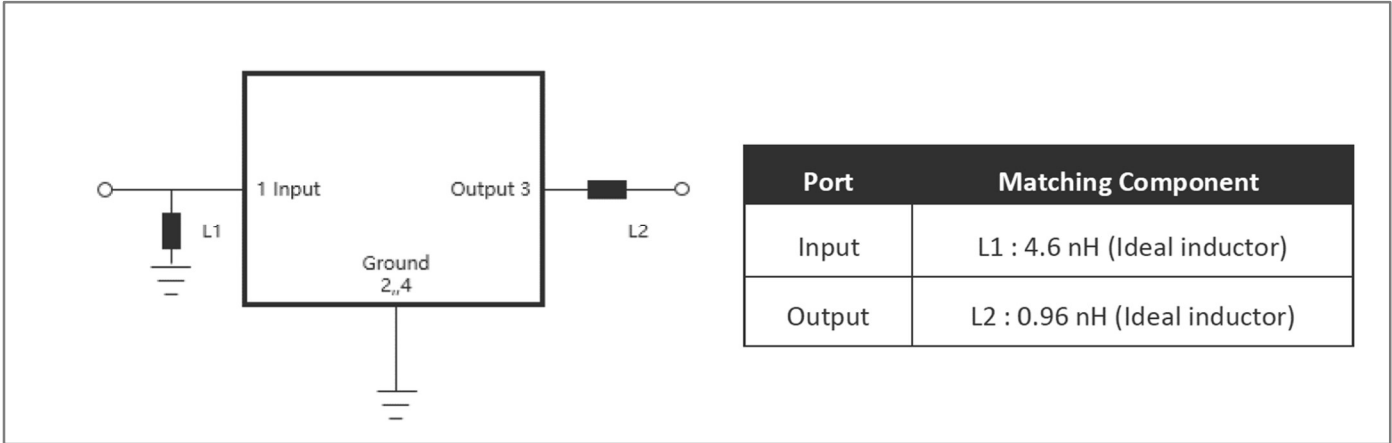
ELECTRICAL SPECIFICATION @25°C				
PARAMETERS DESCRIPTION	UNIT	MINIMUM	TYPICAL	MAXIMUM
Center Frequency (Fo)	MHz	-	2442.0	-
Insertion Loss				
2401.00 ~ 2423.00 MHz	dB		1.2	1.5
2406.00 ~ 2478.00 MHz	dB		1.1	1.4
2461.00 ~ 2483.00 MHz	dB		1.1	1.7
Inband Ripple within 2401.00 ~ 2483.00 MHz	dB	-	1.2	2.2
Input VSWR within 2401.00 ~ 2483.00 MHz	dB	-	1.2	1.9
Output VSWR within 2401.00 ~ 2483.00 MHz	dB	-	1.2	1.9
Absolute Attenuation:				

10.00 ~ 1559.00 MHz	dB	35	42	-
1559.00 ~ 1606.00 MHz	dB	35	42	-
1710.00 ~ 1785.00 MHz	dB	33	41	-
1805.00 ~ 1880.00 MHz	dB	33	42	-
1850.00 ~ 1995.00 MHz	dB	35	42	-
2110.00 ~ 2200.00 MHz	dB	35	48	-
2300.00 ~ 2350.00 MHz	dB	40	46	-
2350.00 ~ 2370.00 MHz	dB	40	47	-
2372.50 ~ 2377.50 MHz	dB	12	19	-
2382.50 ~ 2387.50 MHz	dB	3	5	-
2496.00 ~ 2501.00 MHz	dB	15	34	-
2500.00 ~ 2505.00 MHz	dB	43	53	-
2505.00 ~ 2570.00 MHz	dB	36	48	-
2555.00 ~ 2655.00 MHz	dB	35	44	-
2620.00 ~ 2690.00 MHz	dB	35	44	-
3300.00 ~ 5000.00 MHz	dB	30	37	-
4800.00 ~ 5000.00 MHz	dB	35	41	-
5150.00 ~ 5925.00 MHz	dB	35	40	-

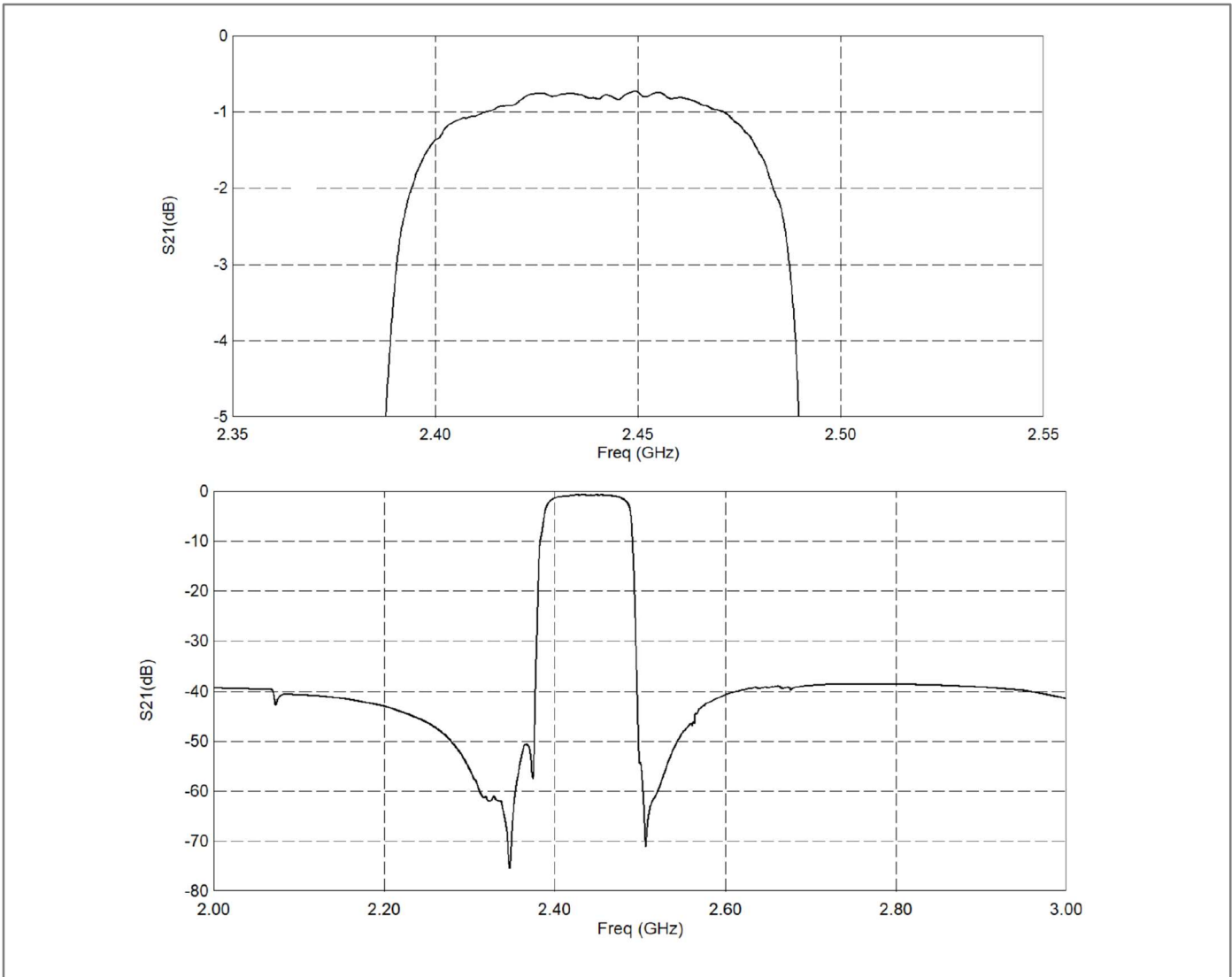
Package Dimensions

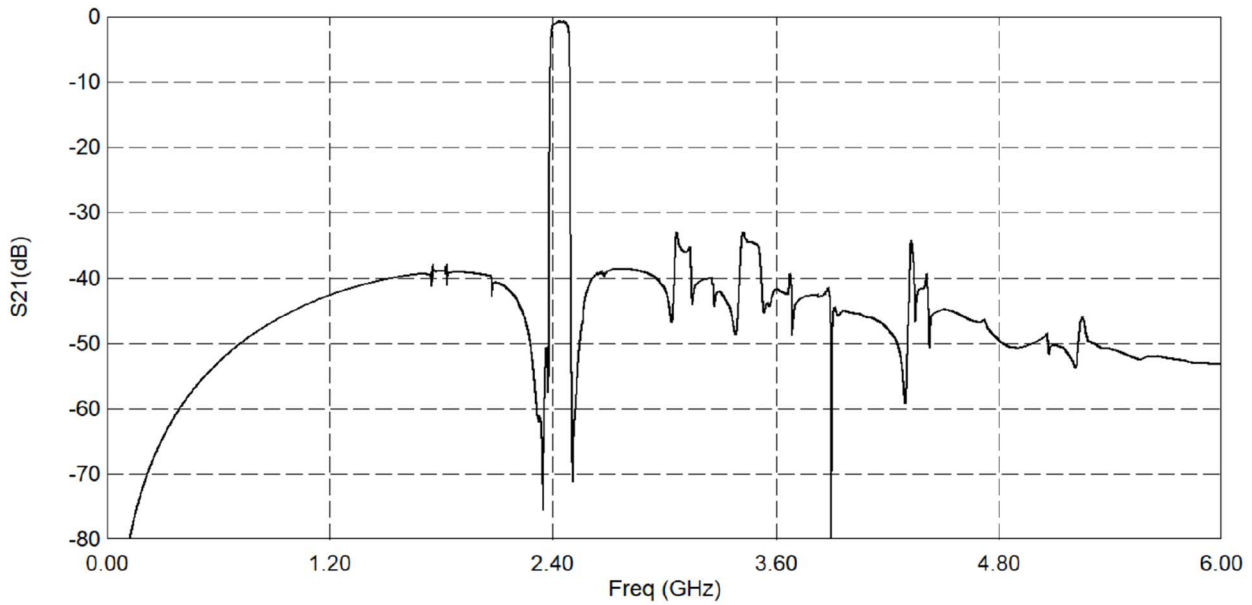


Testing Environment

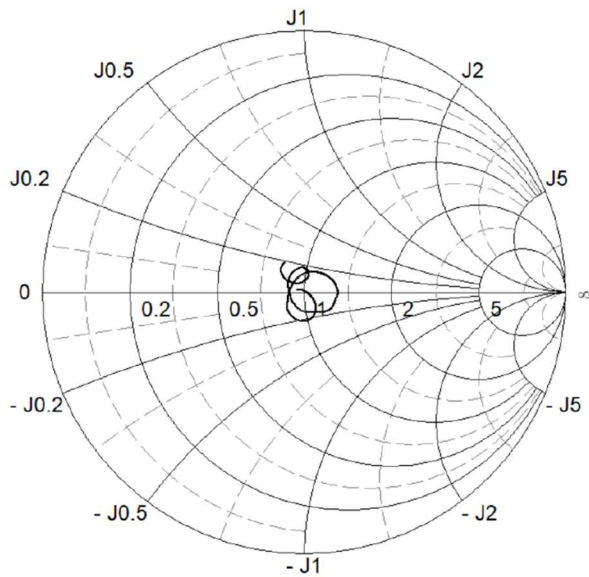


Frequency Characteristics





Input
(2401MHz to 2483MHz)



Output
(2401MHz to 2483MHz)

