

- 43.75 MHz IF SAW Filter / 6.0 MHz Bandwidth
- IF SAW Filter for Digital Cable TV
- Revision 2: 10 Feb. 2009

Electrical Characteristics

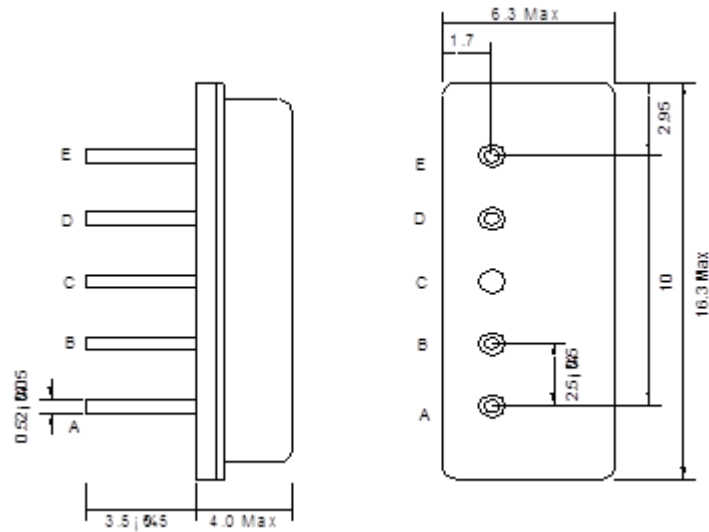
MAXIMUM RATING				
PARAMETERS DESCRIPTION	UNIT	MINIMUM	TYPICAL	MAXIMUM
Operation Temperature Range	°C	-30	-	80
Storage Temperature Range	°C	-40	-	85
Maximum DC Voltage	V	-	-	10
Maximum Input Power	dBm	-	-	10
Source Impedance (single ended) ⁽¹⁾	Ω	-	50	-
Load Impedance (single ended) ⁽¹⁾	Ω	-	2kΩ/3pF	-
Package type & size	B1			
Length x Width	mm ²	-	16.3 x 6.3	-
Height	mm	-	-	4.0

ELECTRICAL SPECIFICATION				
PARAMETERS DESCRIPTION	UNIT	MINIMUM	TYPICAL	MAXIMUM
Center Frequency (Fo)	MHz	-	43.75	-
Insertion Loss at Fo	dB	-	15.0	17.0
Group Delay Variation	nsec	-	40	-
Temperature Coefficient	ppm/°C	-	-72	-
Bandwidth at -3.0 dB	MHz	-	6.0	-
Bandwidth at -30.0 dB	MHz	-	7.6	-
Attenuation: (Ref.; 43.75MHz)				
41.22 MHz	dB	-0.7	0.3	1.3
46.28 MHz	dB	-0.8	0.2	1.2
40.75 MHz	dB	1.5	2.5	3.5
43.75 MHz (Reference frequency)	dB	-	0	-
46.75 MHz	dB	1.5	2.5	3.5
39.75 MHz	dB	38	43	-
47.75 MHz	dB	38	42	-
Relative Attenuation:				
35.0 ~ 39.0 MHz	dB	42	45	-
39.0 ~ 39.75 MHz	dB	37	41	-
47.75 ~ 50.0 MHz	dB	37	40	-
50.0 ~ 55.0 MHz	dB	42	45	-

Notes : (1) With Matching Network (Ref. Testing Environment Circuit as shown below).

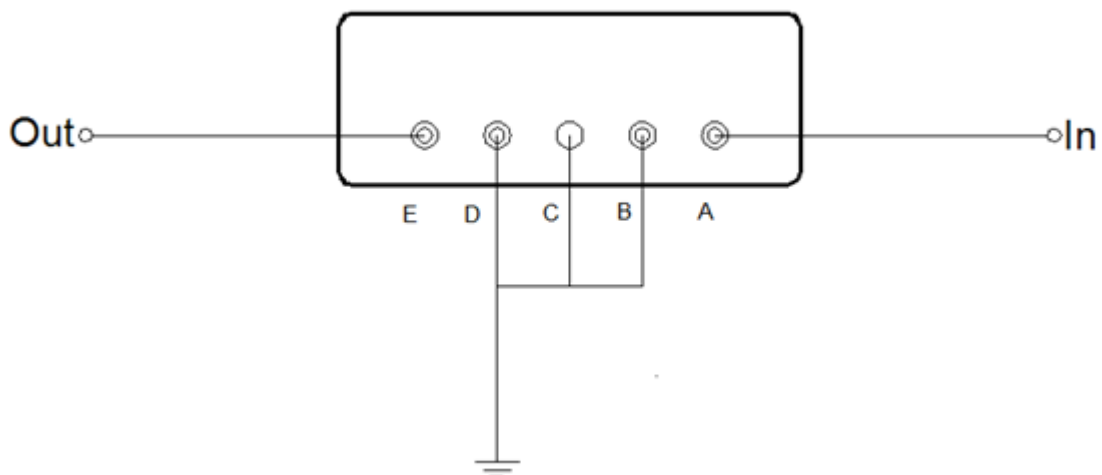
Those impedances could be modified with different impedance values and/or structures, if necessary.

Package Dimensions



Pin Description	
A	INPUT
B	INPUT-GROUND
C	GROUND
D	OUTPUT-GROUND
E	OUTPUT

Testing Environment



Nominal Source Impedance = 50Ω
 Nominal Load Impedance = 2kΩ/3pF

Frequency Characteristics

