

- 36.125 MHz IF SAW Filter / 8.0 MHz Bandwidth
- IF SAW Filter for Digital Cable TV
- Revision 2: 10 Feb. 2009

Electrical Characteristics

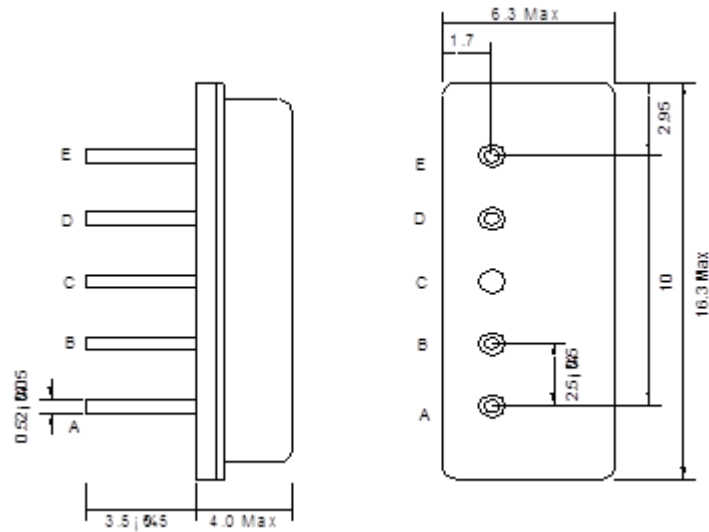
MAXIMUM RATING				
PARAMETERS DESCRIPTION	UNIT	MINIMUM	TYPICAL	MAXIMUM
Operating Temperature Range	°C	-25	-	65
Storage Temperature Range	°C	-40	-	85
Maximum DC Voltage	V	-	10V DC.	-
Maximum Input Power	dBm	-	-	-
Source Impedance (single ended) ⁽¹⁾	Ω	-	50	-
Load Impedance (single ended) ⁽¹⁾	Ω	-	2kΩ/3pF	-
Package type & size	B1			
Length x Width	mm ²	-	16.3 x 6.3	-
Height	mm	-	-	4.0

ELECTRICAL SPECIFICATION				
PARAMETERS DESCRIPTION	UNIT	MINIMUM	TYPICAL	MAXIMUM
Center Frequency (Fo)	MHz	-	36.125	-
Insertion Loss at Fo	dB	-	17.0	19.0
Group Delay Variation (32.13MHz~40.13MHz)	nsec	-	50	-
Temperature Coefficient	ppm/°C	-	-72	-
Bandwidth at -3.0 dB	MHz	-	8.0	-
Bandwidth at -30.0 dB	MHz	-	9.4	-
Relative Attenuation: (Ref.; 36.125MHz)				
31.25 MHz	dB	35	38	-
32.13 MHz	dB	3.0	4.5	6.0
32.32 MHz	dB	0.5	2.0	3.5
36.125 MHz (Reference frequency)	dB	-	0	-
39.93 MHz	dB	0.1	1.5	3.0
40.13 MHz	dB	1.0	2.5	4.0
47.25 MHz	dB	42	45	-
Relative Attenuation:				
from 25.00 to 29.50 MHz	dB	35	40	-
from 29.50 to 31.25 MHz	dB	33	36	-
from 40.90 to 43.50 MHz	dB	30	33	-
from 43.50 to 50.00 MHz	dB	35	40	-

Notes : (1) With Matching Network (Ref. Testing Environment Circuit as shown below).

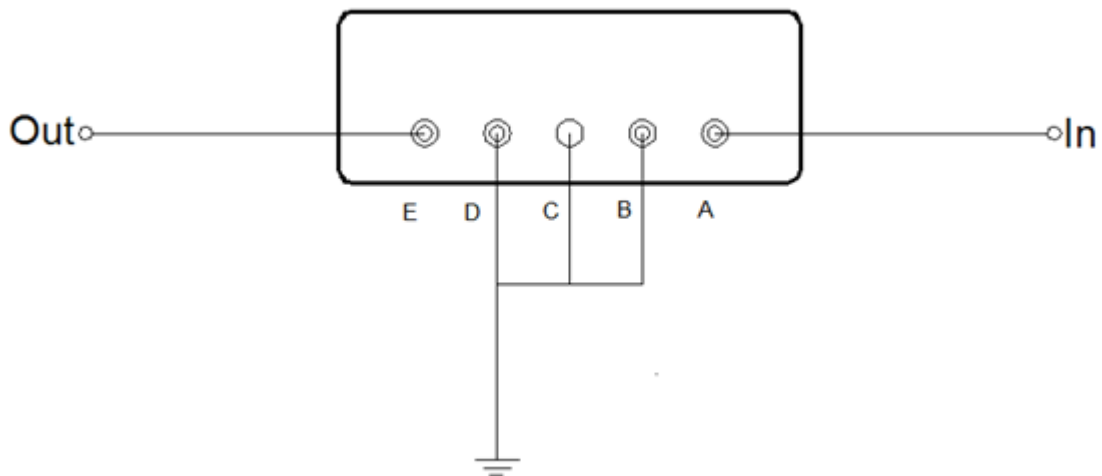
Those impedances could be modified with different impedance values and/or structures, if necessary.

Package Dimensions



Pin Description	
A	INPUT
B	INPUT-GROUND
C	GROUND
D	OUTPUT-GROUND
E	OUTPUT

Testing Environment



Nominal Source Impedance = 50Ω
 Nominal Load Impedance = 2kΩ/3pF

Frequency Characteristics

