

- 70.0 MHz IF SAW Filter / 5.28 MHz Bandwidth
- Revision 0: 10 Oct. 2008

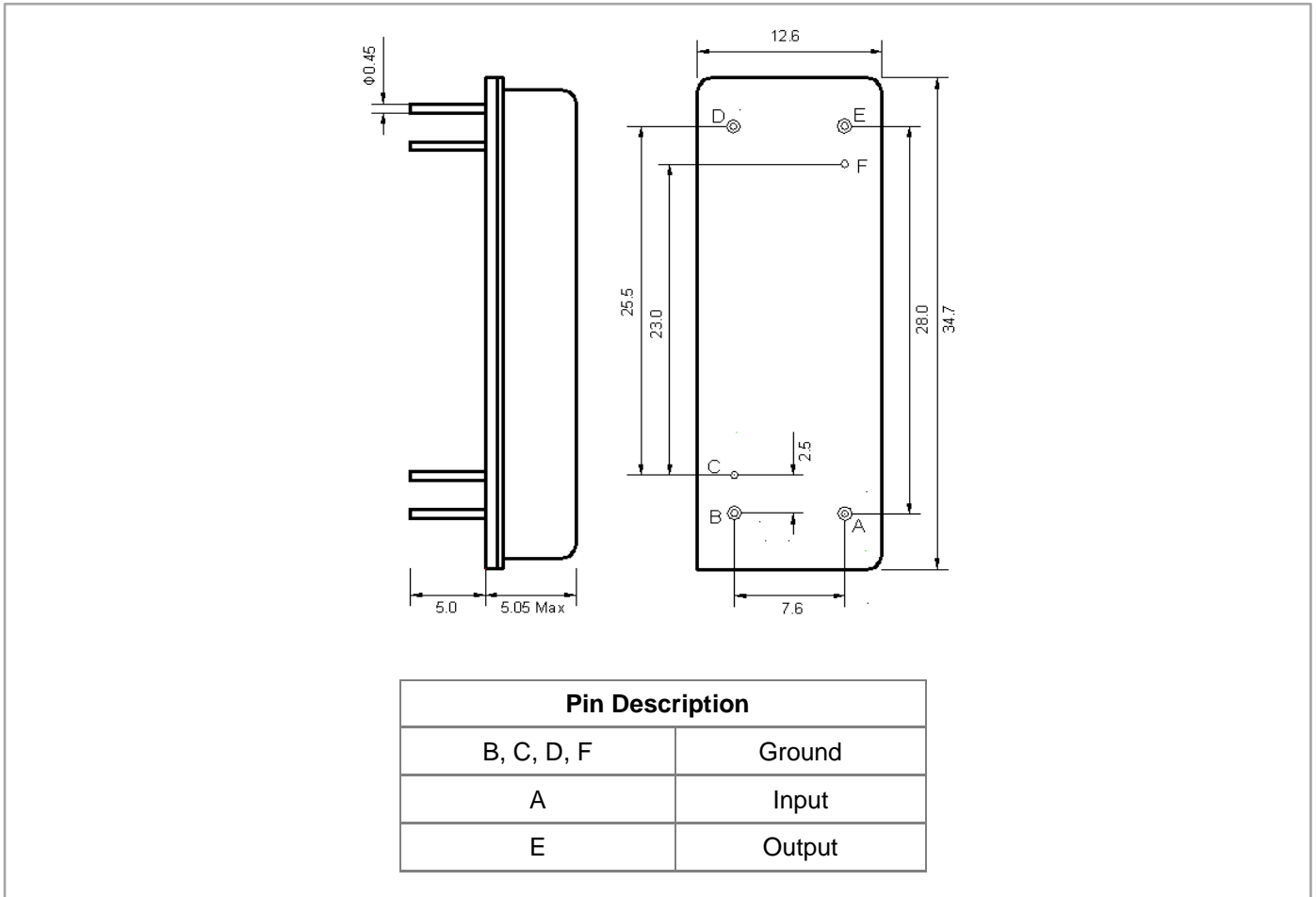
## Electrical Characteristics

MAXIMUM RATING				
PARAMETERS DESCRIPTION	UNIT	MINIMUM	TYPICAL	MAXIMUM
Operable Temperature Range	°C	-20	-	70
Storage Temperature Range	°C	-40	-	85
Maximum DC Voltage	V	-	-	10
Maximum Input Power	dBm	-	-	10
Source Impedance (single ended) <sup>(1)</sup>	Ω	-	50	-
Load Impedance (single ended) <sup>(1)</sup>	Ω	-	50	-
Package type & size	D			
Length x Width	mm <sup>2</sup>	-	20.0 x 12.6	-
Height	mm	-	-	5.05

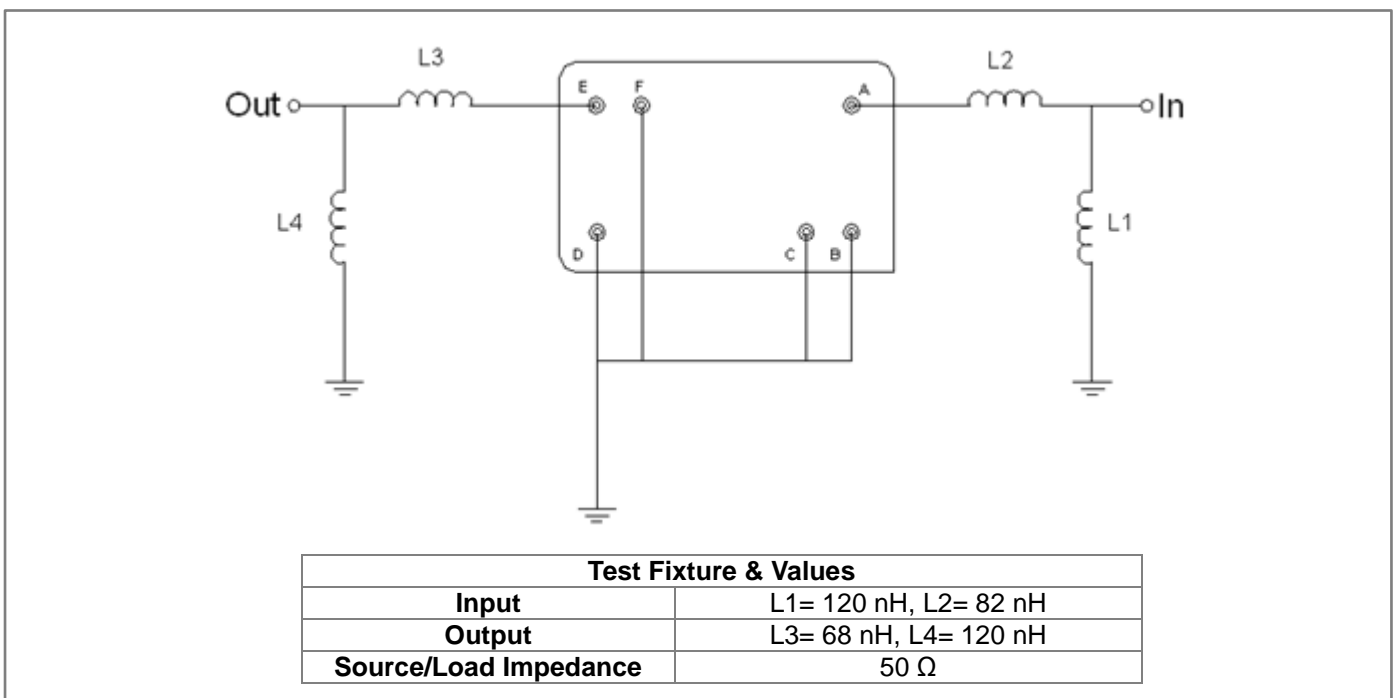
ELECTRICAL SPECIFICATION				
PARAMETERS DESCRIPTION	UNIT	MINIMUM	TYPICAL	MAXIMUM
Center Frequency (Fo)	MHz	69.92	70.0	70.08
Insertion Loss at Fo	dB	-	21.6	24.0
Amplitude Ripple Variation	dB <sub>p-p</sub>	-	0.5	0.95
Group Delay Variation	nsec	-	47	100
Absolute Delay at Fo	μsec	-	2.92	-
Temperature Coefficient	ppm/°C	-	-20	-
Bandwidth at -1.0 dB	MHz	5.0	5.28	-
Bandwidth at -3.0 dB	MHz	-	5.68	-
Bandwidth at -40.0 dB	MHz	-	7.39	7.50
Ultimate Rejection	dB	50	55	-

**Notes :** (1) With Matching Network (Ref. Testing Environment Circuit as shown below).  
Those impedances could be modified with different impedance values and/or structures, if necessary.

## Package Dimensions



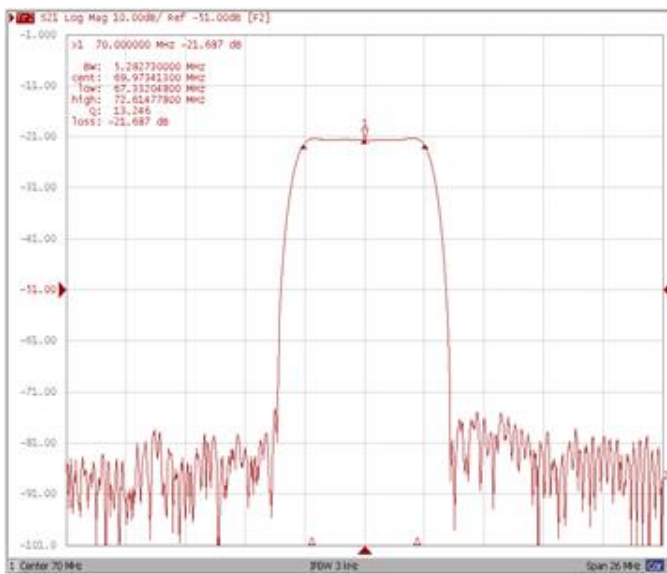
## Testing Environment



## Frequency Characteristics

### Frequency Response

**Bandwidth at -1.0 dB**



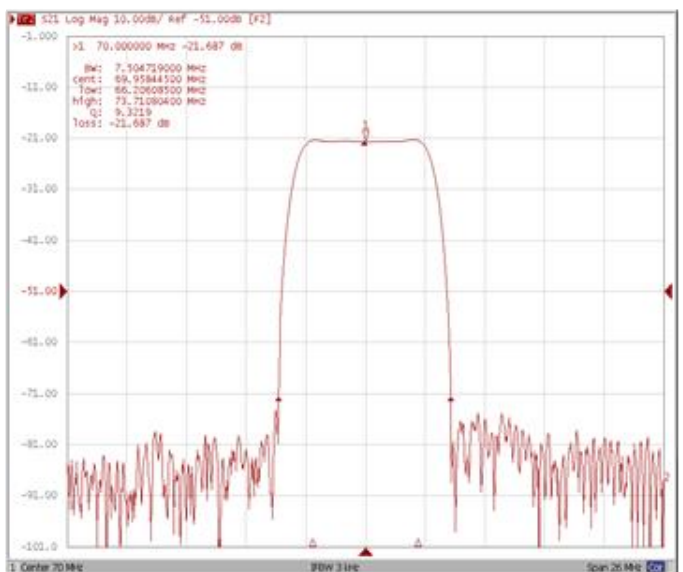
**Bandwidth at -3.0 dB**



**Bandwidth at -40.0 dB**

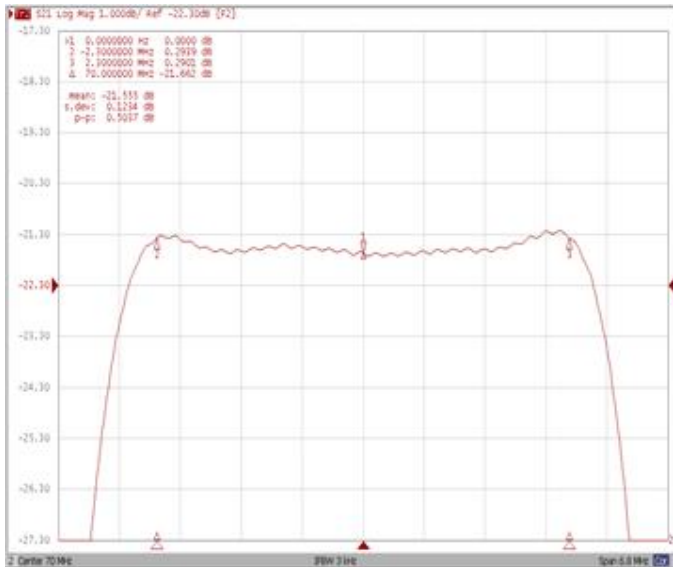


**Bandwidth at -50.0 dB**

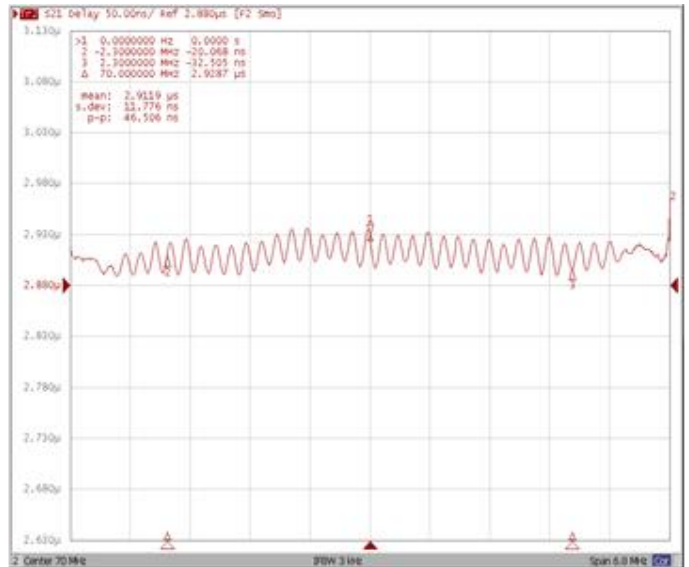


**Frequency Response**

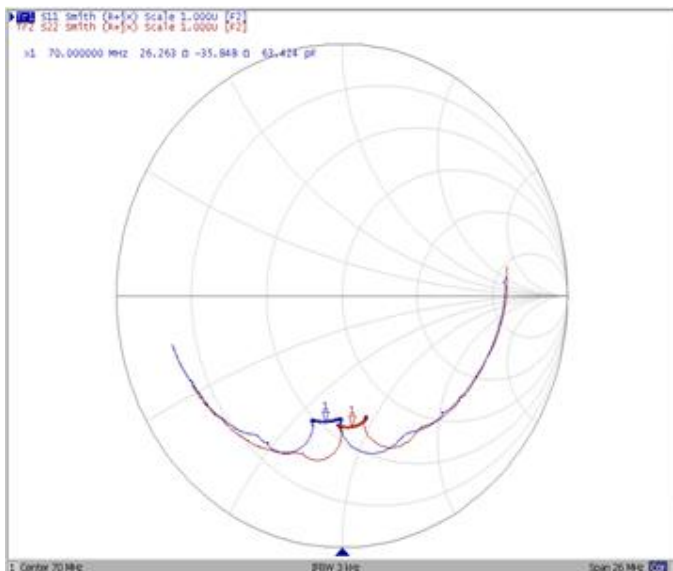
**Ripple Variation Fo±2.3MHz**



**Group Delay Variation Fo±2.3MHz**



**Smith Chart**



**VSWR**

