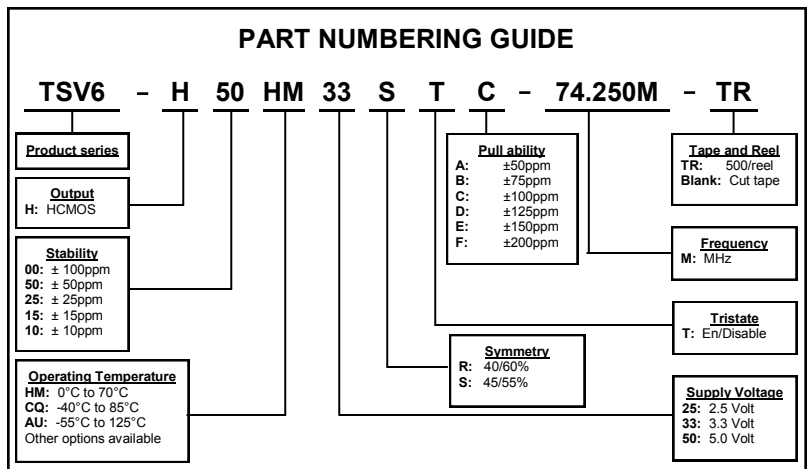
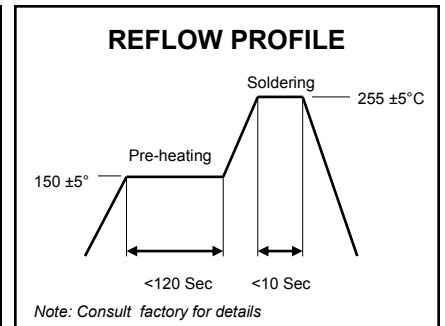
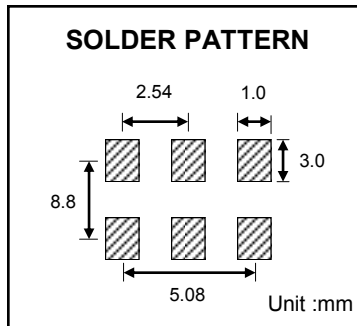
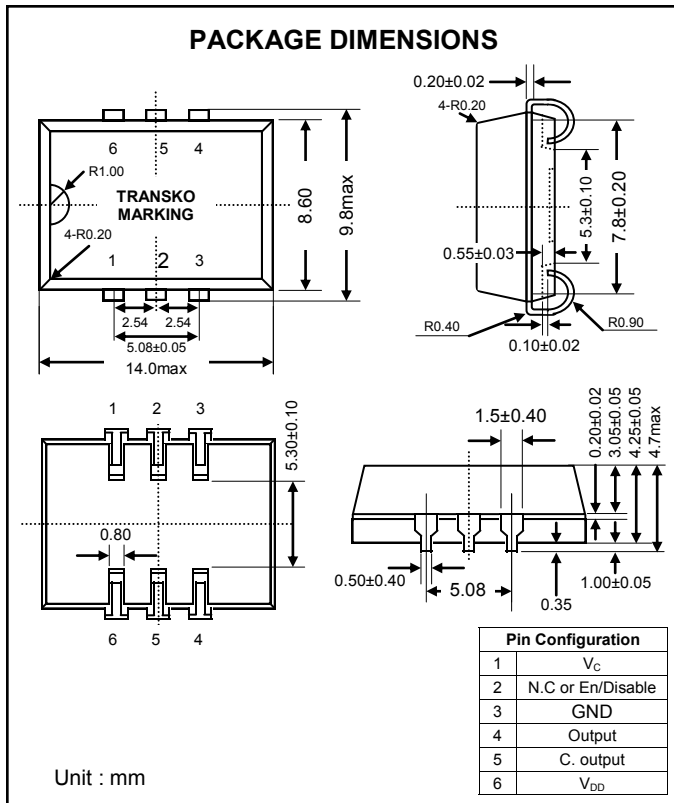


PLASTIC SMD HCMOS VCXO (14.0 x 9.8 x 4.7mm)

FEATURES:

- HCMOS HIGH FREQUENCY RANGE
- LOW JITTER / LOW CURRENT
- SUITABLE FOR REFLOW

MODEL	TSV6	
INPUT VOLTAGE	3.3 V _{DC} ±10%	5.0 V _{DC} ±10%
FREQUENCY RANGE	1.000 MHz ~ 160.000 MHz	1.000 MHz ~ 70.000 MHz
TEMPERATURE STABILITY	±25 ppm ~ ±100 ppm	
OPERATING TEMPERATURE	0°C ~ 70°C to -40°C ~ 85°C	
STORAGE TEMPERATURE	-55°C to 125°C	
INPUT CURRENT	60 mA Max.	80 mA Max.
OUTPUT LOGIC '0' LEVEL (Vol)	0.1 V _{DD} Max	
OUTPUT LOGIC '1' LEVEL (Voh)	0.9 V _{DD} Min	
SYMMETRY	45/55% or 40/60%	
RISE & FALL TIME	10 nS Max.	
PULLABILITY	± 50 ppm Min ±100 ppm Max	
CONTROL VOLTAGE	1.65V ±1.65V	2.5V ±2.0V
LINEARITY	10% Max.	
START UP TIME	10 mS Max.	
OUTPUT LOAD	15 pF or 10TTL	30 pF or 10TTL
PHASE JITTER	1.0pS max, >200MHz: 5.0 pS Max	



Transko Electronics, Inc reserves the right to make changes to the product (s), service (s), and specification (s) described herein without notice. See "Terms of Sale" for details on our website.