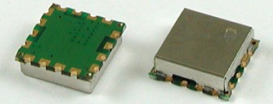
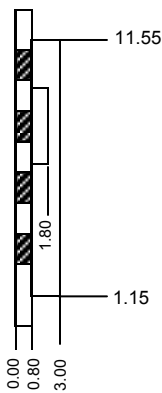
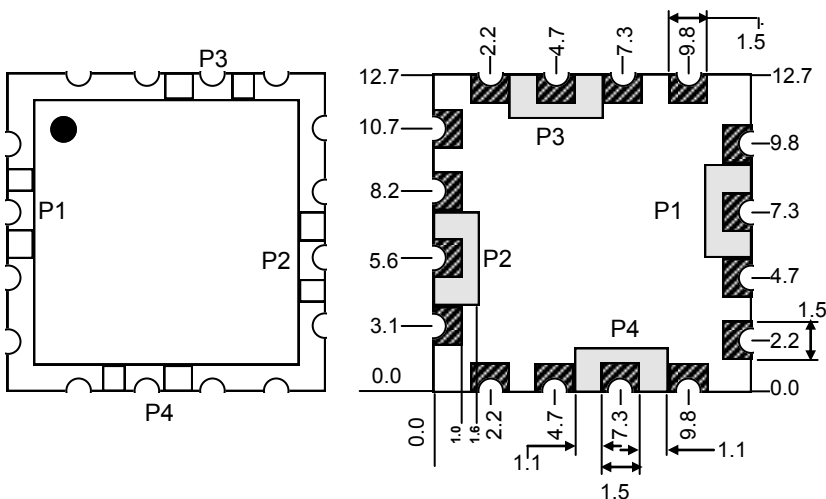


- HIGH FREQUENCY RANGE
- INDUSTRY STANDARD PACKAGE
- CAPABLE OF REFLOW
- CUSTOM SPECIFICATION AVAILABLE



RoHS
Compliant

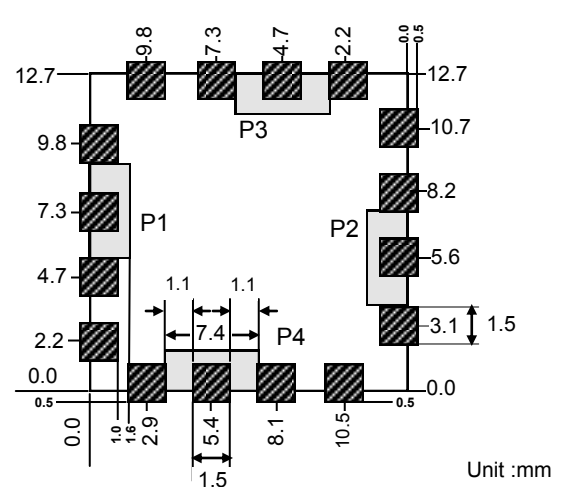
MODEL	FREQUENCY	TUNING VOLTAGE	PHASE NOISE @10KHz	2nd HARMONICS	POWER
THV-5V370	340~400 MHz	0.5~4.5 V	-106 dBc/Hz	-12 dBc	2 dBm
THV-5V915	902~928 MHz	1~4 V	-110 dBc/Hz	-13 dBc	1 dBm
THV-5V1628	1612~1644 MHz	0.5~4.5 V	-107 dBc/Hz	-25 dBc	3 dBm
THV-5V1960	1910~2010 MHz	0.5~4.5 V	-101 dBc/Hz	-20 dBc	0 dBm
THV-5V3900	3850~3950 MHz	0.5~4.5 V	-95 dBc/Hz	-20 dBc	6 dBm

PACKAGE DIMENSIONS


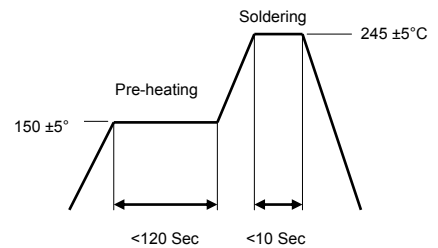
Unit : mm

Tolerance: ± 0.2

Pin Configuration	
P1	Tuning Voltage
P2	RF OUT
P3	Supply Voltage
P4	GND
All Other Pins are GND	

SOLDER PATTERN


Unit :mm

REFLOW PROFILE


Note: Consult factory for detail

Transko Electronics, Inc reserves the right to make changes to the product (s), service (s), and specification (s) described herein without notice. See "Terms of Sale" for details on our website.