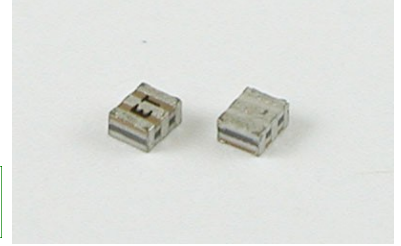
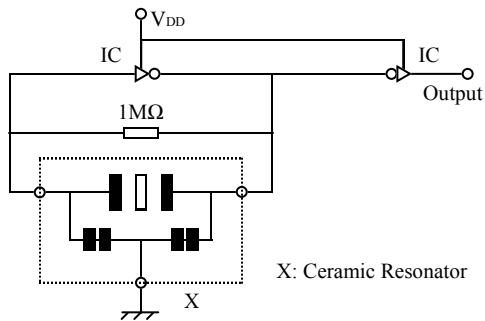


CERAMIC RESONATORS (2.0 X 2.5 X 1.2 / 0.55 mm)
FEATURES:

- BUILT IN LOAD CAPACITANCE
- ULTRA-SMALL TRUE SURFACE MOUNTABLE
- CAN BE REFLOW SOLDERED
- AVAILABLE IN TAPE AND REEL PACKAGING

 RoHS
Compliant


MODEL	ZTTCW_MX
FREQUENCY RANGE	16.93 ~ 60.00 MHz
FREQ. ACCURACY @ 25°C	± 0.5 %, ± 0.3 %, ± 0.15 %
TEMPERATURE STABILITY	± 0.2 %, ± 0.08 %
TEMPERATURE RANGE	-20°C to 80°C
AGING	10years ± 0.1 %, ± 0.01%

TEST CIRCUIT


Type	ZTTCW
Frequency	16.93~60MHz
IC	TC74HCU04
VDD	+5V

DIMENSIONS
