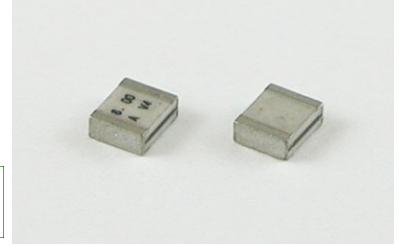


CERAMIC RESONATORS (3.7 X 3.1 X 1.2mm)

FEATURES:

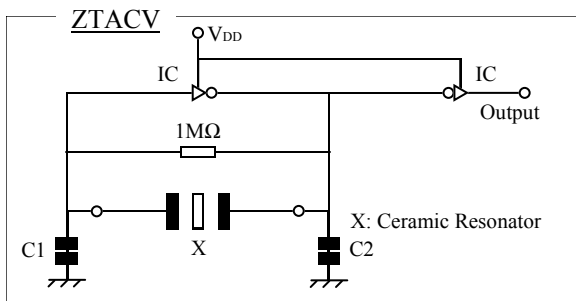
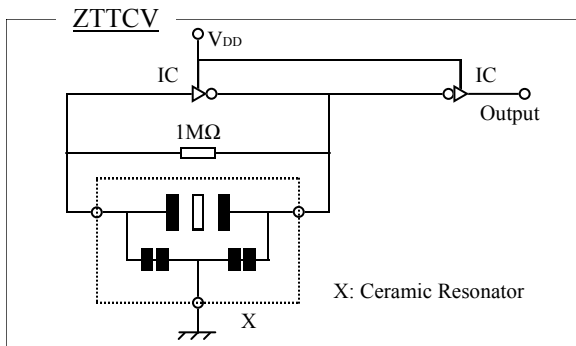
- BUILT IN LOAD CAPACITANCE
- ULTRA-SMALL TRUE SURFACE MOUNTABLE
- CAN BE REFLOW SOLDERED
- AVAILABLE IN TAPE AND REEL PACKAGING

RoHS
Compliant



| MODEL | ZTTCV/ ZTACV |
|-----------------------|---|
| FREQUENCY RANGE | 8.00 ~ 60.00 MHz |
| FREQ. ACCURACY @ 25°C | ± 0.5 % |
| TEMPERATURE STABILITY | ± 0.4 % (8.00~13.00MHz), ± 0.3 % (13.01~60.00MHz) |
| TEMPERATURE RANGE | -20°C to 80°C |
| AGING | 10years ± 0.3 % |

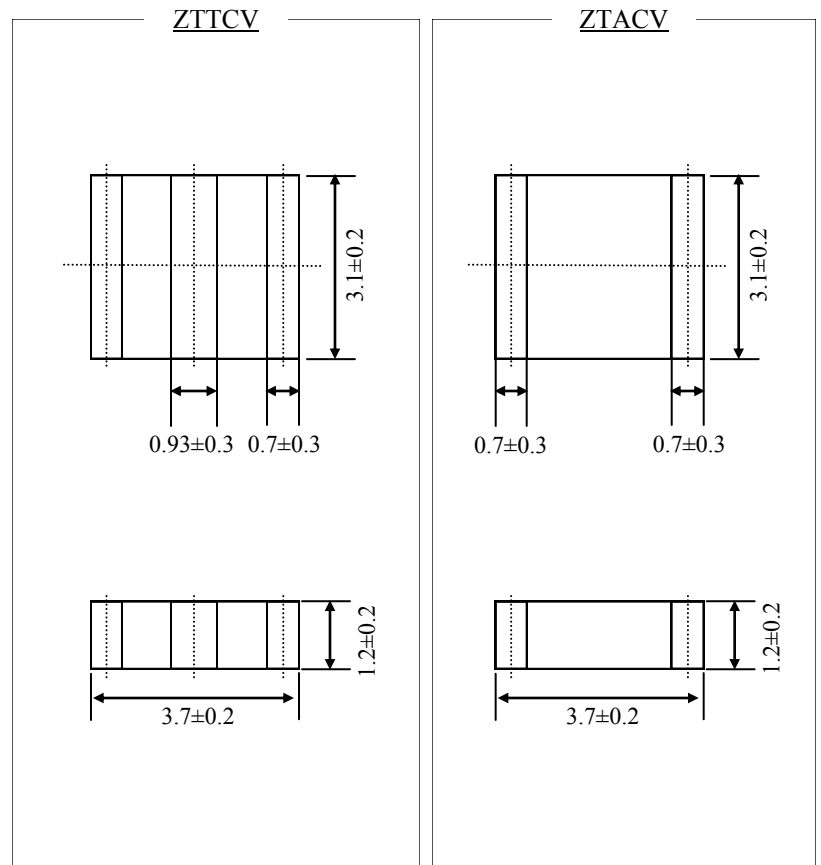
TEST CIRCUIT



| Frequency Range | C1(pF) | C2(pF) |
|-----------------|--------|--------|
| 2.00~20.00 | 30 | 30 |
| 20.01~25.99 | 15 | 15 |
| 26.00~60.00 | 5 | 5 |

| Type | ZTTCV | ZTACV |
|-----------|-------------|------------|
| Frequency | 8.0~13.0MHz | 13.1~60MHz |
| IC | TC4069UBP | TC74HCU04 |
| VDD | +12V | +5V |

DIMENSIONS



Unit:mm

Transko Electronics, Inc reserves the right to make changes to the product (s), service (s), and specification (s) described herein without notice. See "Terms of Sale" for details on our website.