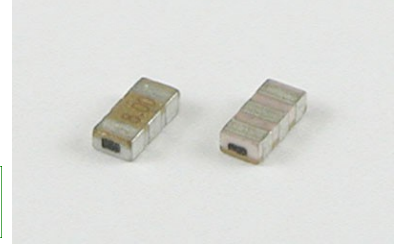


**CERAMIC RESONATORS (4.5 X 2.0 X 1.2 mm)**
**FEATURES:**

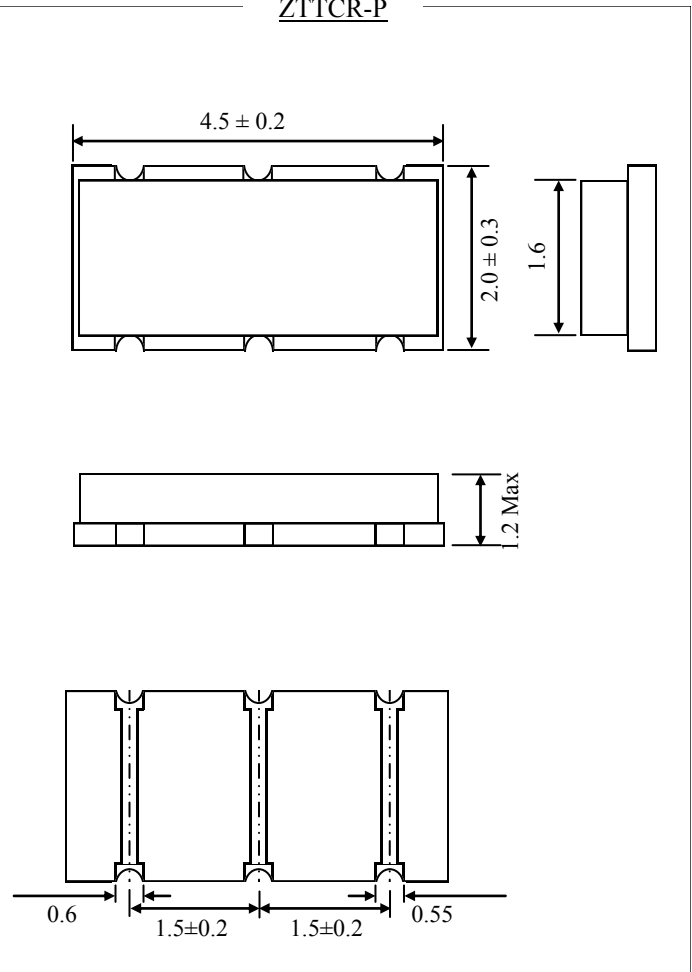
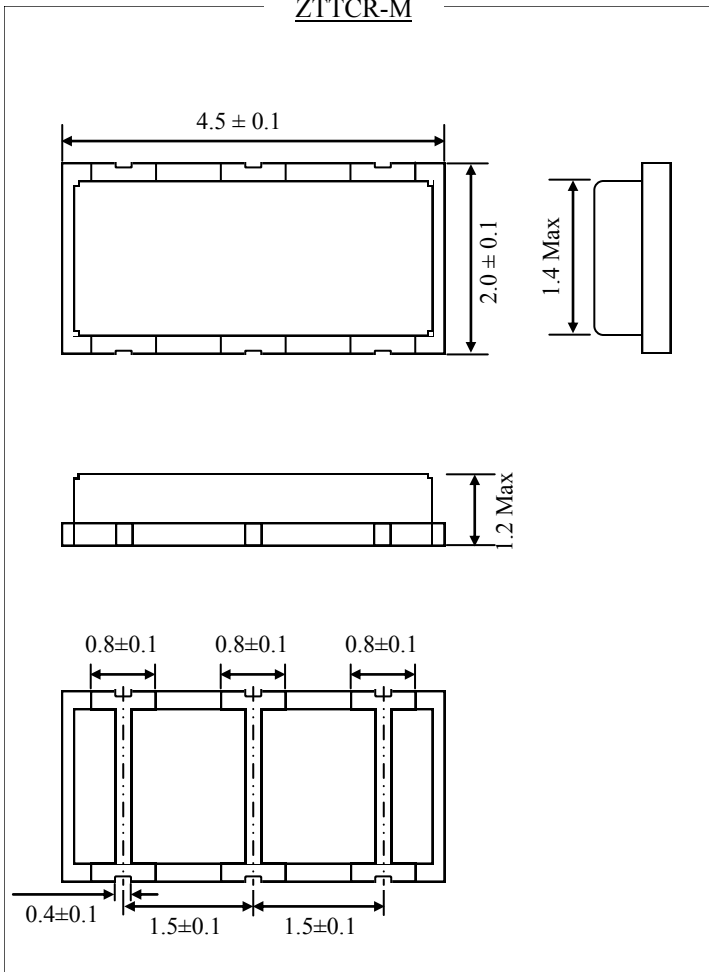
- VERY LOW PROFILE. ULTRATHIN THICKNESS 1.2MM
- AUTOMATIC MOUNTING IS POSSIBLE
- VERY SMALL VOLUME AND WEIGHT
- REFLOW IS POSSIBLE

 RoHS  
Compliant


MODEL	ZTTCR-M	ZTTCR-P
FREQUENCY RANGE	4.00 ~ 8.00 MHz	4.00 ~ 8.00 MHz
INITIAL TOLERANCE	± 0.5 %	± 0.5 %
TEMPERATURE STABILITY	± 0.2 %	± 0.2 %
TEMPERATURE RANGE	-20°C to 80°C	-20°C to 80°C
AGING	10years ± 0.1 %	10years ± 0.1 %

**DIMENSIONS**

Unit:mm

ZTTCR-M
ZTTCR-P


Transko Electronics, Inc reserves the right to make changes to the product (s), service (s), and specification (s) described herein without notice. See "Terms of Sale" for details on our website.