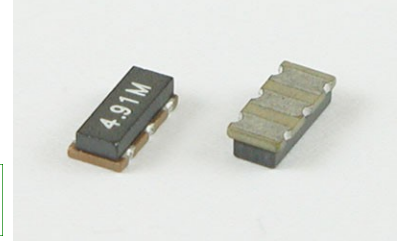


CERAMIC RESONATORS (7.4 X 3.4 X 1.8mm)

FEATURES:

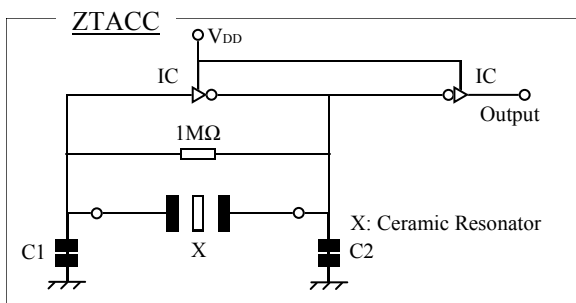
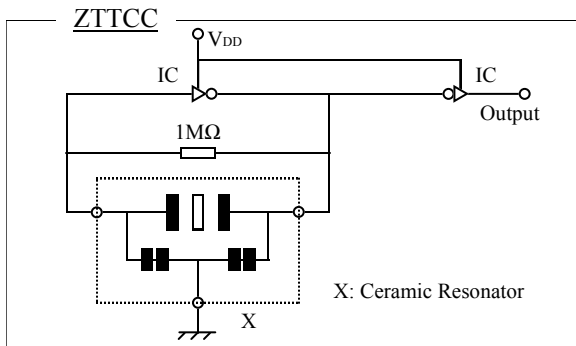
- BUILT IN LOAD CAPACITANCE
- ULTRA-SMALL TRUE SURFACE MOUNTABLE
- CAN BE REFLOW SOLDERED
- AVAILABLE IN TAPE AND REEL PACKAGING

RoHS
Compliant



MODEL	ZTTCC/ ZTACC
FREQUENCY RANGE	2.00 ~ 8.00 MHz
FREQ. ACCURACY @ 25°C	± 0.5 %
TEMPERATURE STABILITY	± 0.3 %
TEMPERATURE RANGE	-20°C to 80°C
AGING	10years ± 0.3 %

TEST CIRCUIT



Frequency Range	C1(pF)	C2(pF)
2.00~20.00	30	30
20.01~25.99	15	15
26.00~60.00	5	5

Type	ZTTCC/ZTACC
Frequency	2.0~8.0MHz
IC	TC4069UBP
VDD	+5V

DIMENSIONS

