

CERAMIC THROUGH HOLE RESONATORS - 3PINS

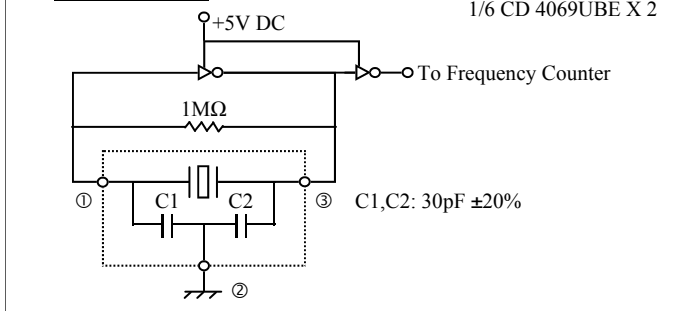
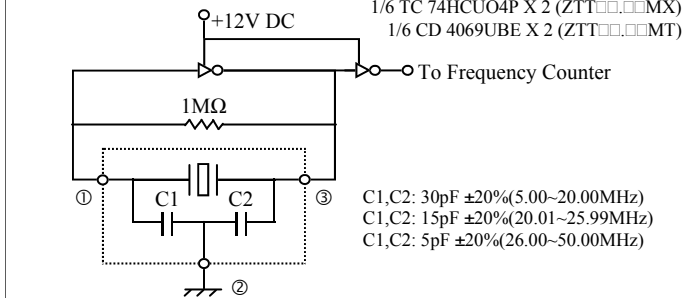
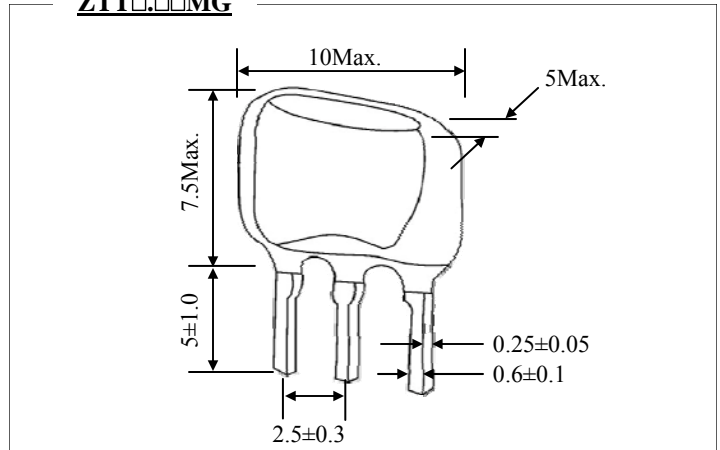
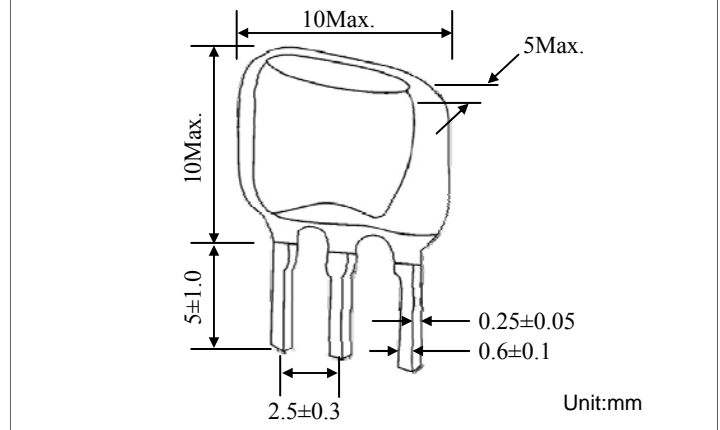
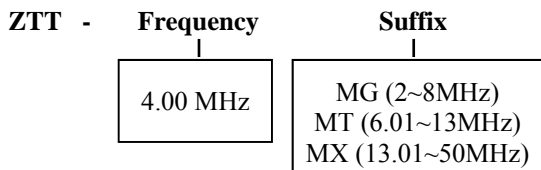
 RoHS
Compliant

FEATURES:

- LOW PROFILE / WIDE FREQUENCY RANGE
- EXTENDED TEMPERATURE RANGE
- BUILT-IN LOAD CAPACITANCE
- ROHS COMPLIANT

PART NUMBER	FREQUENCY RANGE (MHz)	FREQUENCY ACCURACY @ 25°C (%)	STABILITY IN TEMPERATURE -20°C ~ +80°C	AGING FOR TEN YEARS (%)	RESONANT RESISTANCE (Ω) MAX
ZTT□.□□MG	2.00 ~ 2.99	±0.5	±0.3	±0.3	80
ZTT□.□□MG	3.00 ~ 3.49	±0.5	±0.3	±0.3	50
ZTT□.□□MG	3.50 ~ 8.00	±0.5	±0.3	±0.3	30
ZTT□.□□MT	6.01 ~ 6.99	±0.5	±0.3	±0.3	30
ZTT□□.□□MT	7.00 ~ 13.00	±0.5	±0.3	±0.3	25
ZTT□□.□□MX	13.01 ~ 50.00	±0.5	±0.3	±0.3	30

* Withstanding voltage (5 seconds max.):100V DC ** Insulation Resistance 100M Ω Min. (at 10V DC)

TEST CIRCUIT
ZTT□.□□MG

ZTT□□.□□MT, MX

DIMENSIONS
ZTT□.□□MG

ZTT□□.□□MT, MX

PART NUMBERING GUIDE


Transko Electronics, Inc reserves the right to make changes to the product (s), service (s), and specification (s) described herein without notice. See "Terms of Sale" for details on our website.