

CERAMIC THROUGH HOLE RESONATORS - 2PINS

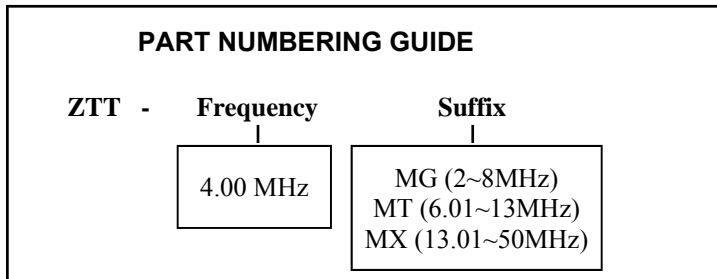
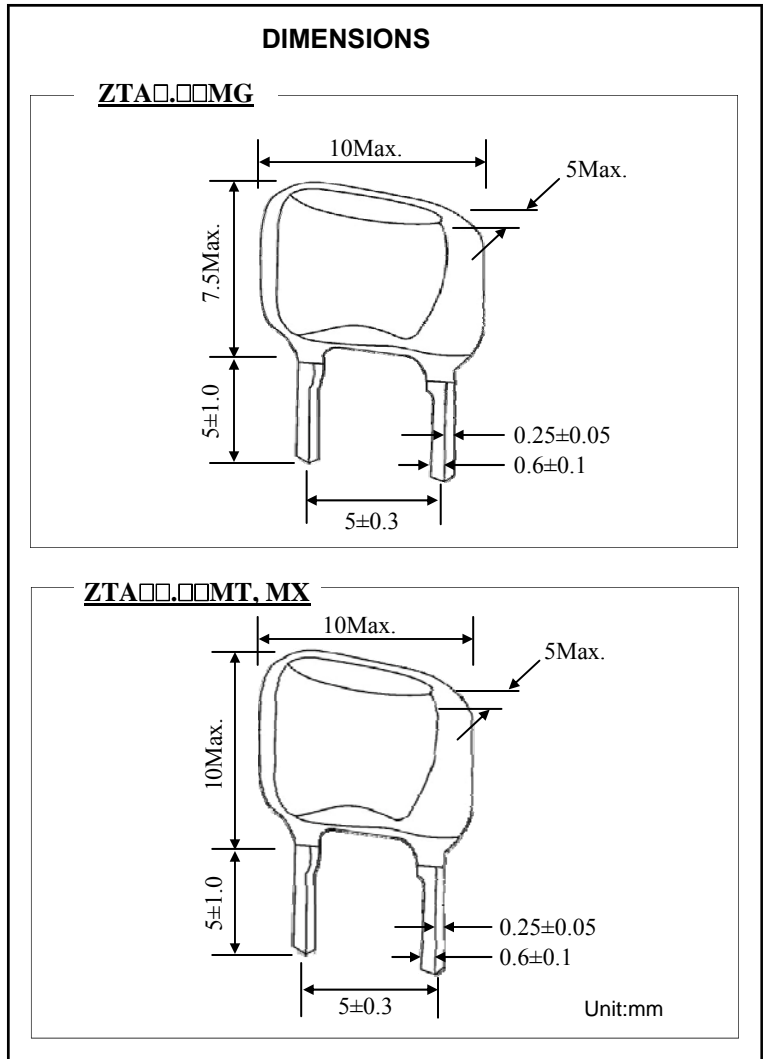
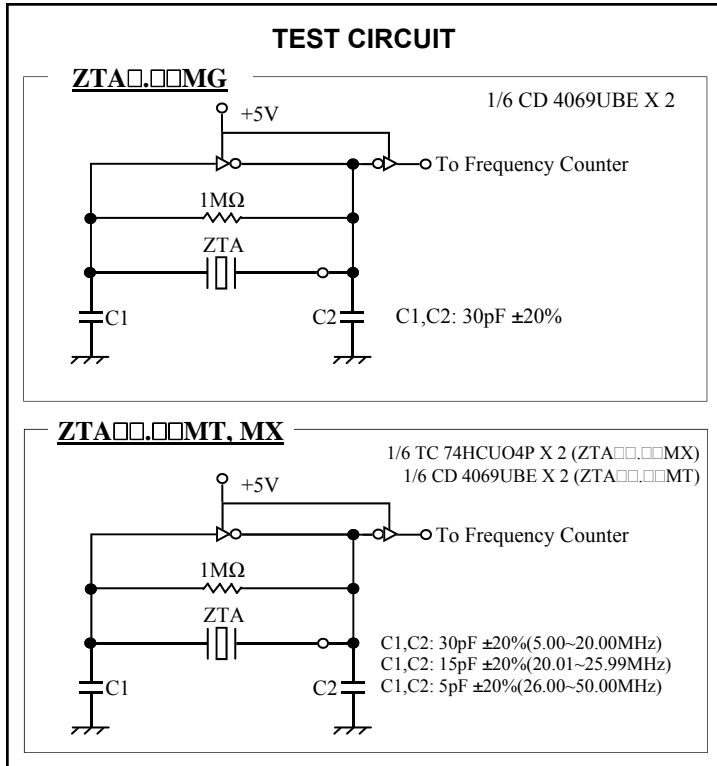
RoHS
Compliant

FEATURES:

- LOW PROFILE
- WIDE FREQUENCY RANGE
- EXTENDED TEMPERATURE RANGE
- ROHS COMPLIANT

PART NUMBER	FREQUENCY RANGE (MHz)	FREQUENCY ACCURACY @ 25°C (%)	STABILITY IN TEMPERATURE -20°C ~ +80°C	AGING FOR TEN YEARS (%)	RESONANT RESISTANCE (Ω) MAX
ZTA□.□□MG	2.00 ~ 2.99	±0.5	±0.3	±0.3	80
ZTA□.□□MG	3.00 ~ 3.49	±0.5	±0.3	±0.3	50
ZTA□.□□MG	3.50 ~ 8.00	±0.5	±0.3	±0.3	30
ZTA□.□□MT	6.01 ~ 6.99	±0.5	±0.3	±0.3	30
ZTA□□.□□MT	7.00 ~ 13.00	±0.5	±0.3	±0.3	25
ZTA□□.□□MX	13.01 ~ 50.00	±0.5	±0.3	±0.3	30

* Withstanding voltage (5 seconds max.):100V DC ** Insulation Resistance 100M Ω Min. (at 10V DC)



Transko Electronics, Inc reserves the right to make changes to the product (s), service (s), and specification (s) described herein without notice. See "Terms of Sale" for details on our website.