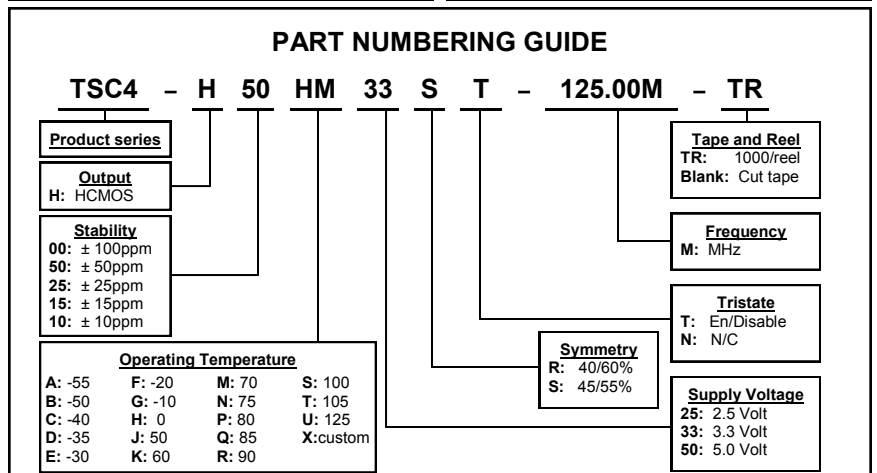
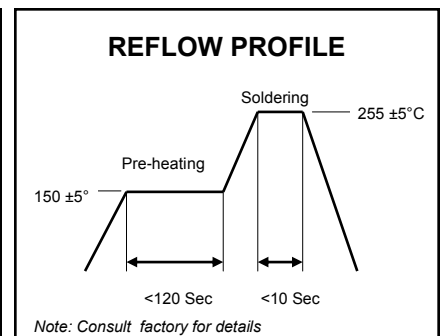
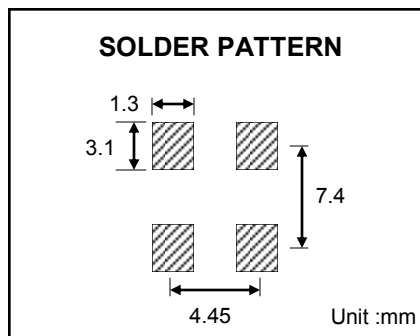
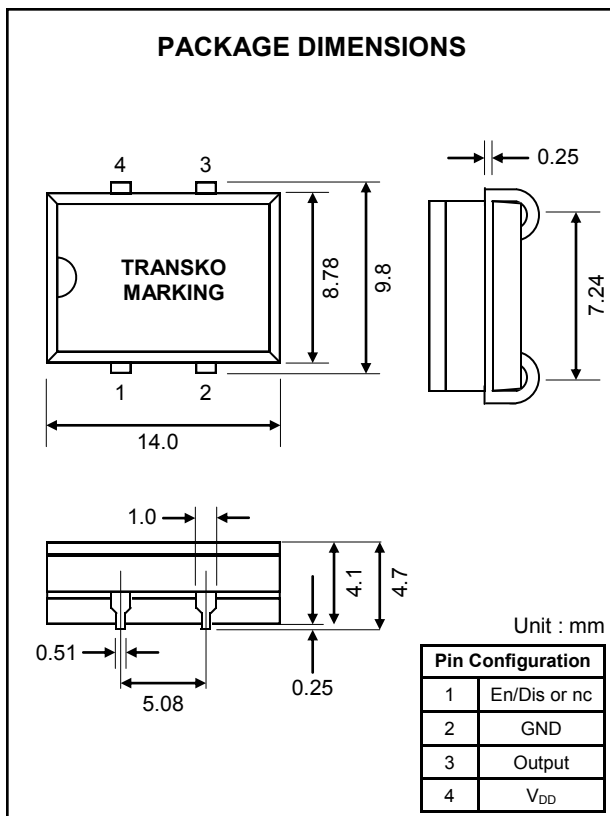


HIGH FREQUENCY CERAMIC SMD OSCILLATOR (14.0x9.8x4.7mm)
FEATURES

- HIGH FREQUENCY CMOS OSCILLATOR
- LOW VOLTAGE / LOW CURRENT
- REFLOW CAPABLE

MODEL	TSC4	
VOLTAGE	2.4V ~ 3.3V	5.0V
FREQUENCY RANGE	1.000 MHz ~ 167.000 MHz	1.000 MHz ~ 125.000 MHz
TEMPERATURE STABILITY	±25 ppm ~ ±100 ppm	
OPERATING TEMPERATURE	STANDARD: 0°C ~ 70°C, OPTION: -40°C ~ 85°C	
STORAGE TEMPERATURE	-55°C to 125°C	
INPUT VOLTAGE	3.3 V _{DC} ±10%	5.0 V _{DC} ±10%
INPUT CURRENT	65 mA max.	65 mA Max.
OUTPUT '0' LEVEL (Vol)	10% V _{DD} max.	
OUTPUT '1' LEVEL (Voh)	90% V _{DD} min.	
SYMMETRY	STANDARD: 40/60%, OPTION: 45/55%	
RISE & FALL TIME	6 nS typical, 10nS max.	
START UP TIME	10 mS Max.	
OUTPUT LOAD	30 pF or 10TTL	50 pF or 10TTL
JITTER (12KHz ~ 20MHz offset)	0.5pS typical, 3.0pS max.	0.5pS typical, 1.0pS max.
AGING	±5 ppm / year Max.	



Transko Electronics, Inc reserves the right to make changes to the product (s), service (s), and specification (s) described herein without notice. See "Terms of Sale" for details on our website.