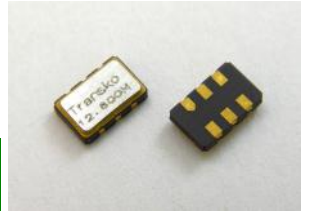


LVPECL MINIATURE SMD OSCILLATOR (5.0 x 3.2 x 1.3mm)

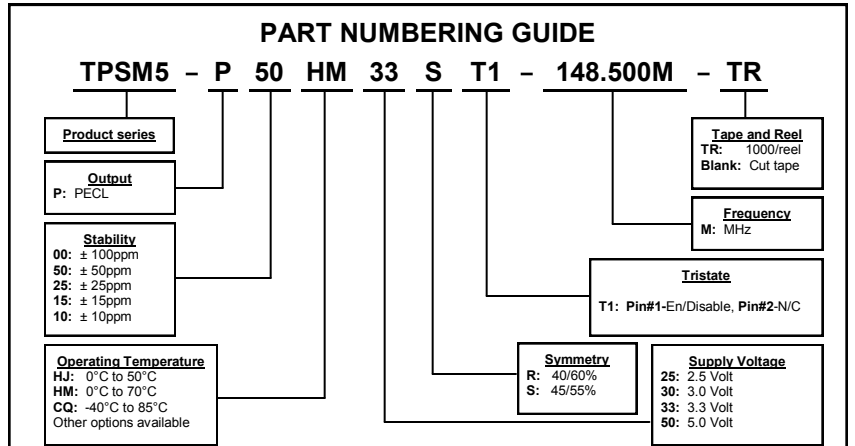
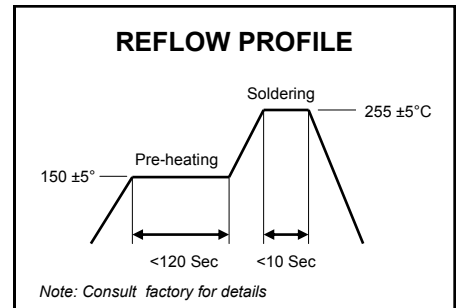
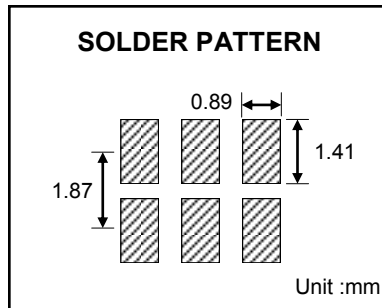
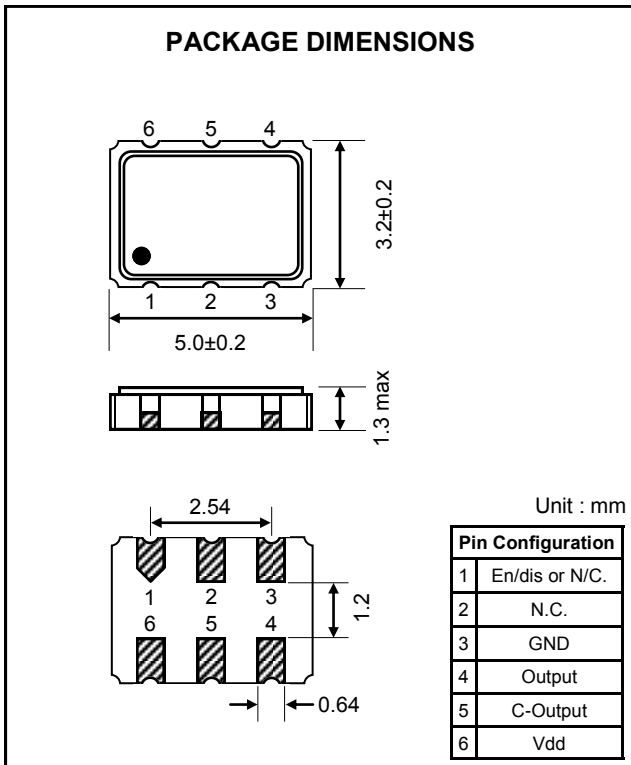
FEATURES:

- WIDE FREQUENCY RANGE
- LOW JITTER
- EN/DISABLE PIN AVAILABLE

RoHS
Compliant



MODEL		TPSM5	
FREQUENCY RANGE		0.750MHz ~ 800.000MHz	
SUPPLY VOLTAGE		2.5V	3.3V
CURRENT CONSUMPTION		70mA max.	90mA max.
TEMPERATURE RANGE	OPERATING	0°C to 70°C STD, -40°C ~ +85°C available (See Part Numbering Guide)	
	STORAGE	-55°C ~ +125°C	
FREQUENCY STABILITY		±50ppm STD, ±10ppm ~ ±100ppm max. (See Part Numbering Guide)	
OUTPUT LOAD CONDITION		50Ω ~ Vdd-2.0V	
SYMMETRY (DUTY)		40/60% STD, 45/55% Available (See Part Numbering Guide)	
OUTPUT RISE AND FALL TIME (TR/TF)		300pS typical, 600pS max.	
HIGH OUTPUT VOLTAGE		Vdd - 1.025V min.	
LOW OUTPUT VOLTAGE		Vdd - 1.62V max.	
PIN1 TRI-STATE		No Connection (Output enable) 70% Vdd min (Output enable) 30% Vdd max (Output disable)	
OSCILLATION START UP TIME		5mS max	
AGING		±3ppm max	
PHASE JITTER (12KHz ~ 20MHz)		1.0pS RMS max (Fundamental), 3.0pS RMS max. (Multi-rate)	



Transko Electronics, Inc reserves the right to make changes to the product (s), service (s), and specification (s) described herein without notice. See "Terms of Sale" for details on our website.