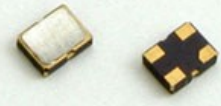


MINIATURE SMD PROGRAMMABLE OSCILLATOR (3.2 x 2.5 x 1.0mm)

FEATURES:

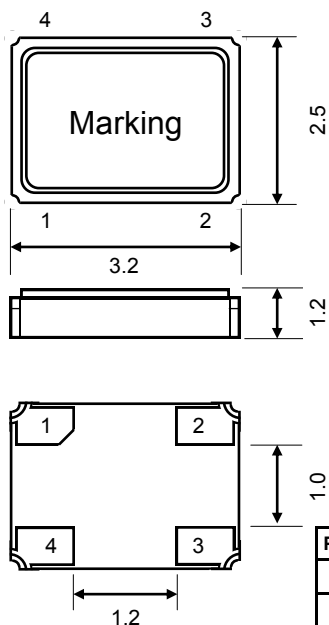
- CMOS PROGRAMMABLE OSCILLATOR
- ULTRA MINITURE SMD PACKAGE WITH CMOS OUTPUT
- LOW PEAK TO PEAK JITTER

RoHS
Compliant

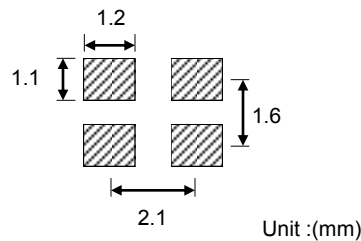


MODEL	TP32		
SUPPLY VOLTAGE	1.8V	2.5V	3.3V
FREQUENCY RANGE	0.8MHz ~ 75.000MHz	0.8MHz ~ 90MHz	0.8MHz ~ 110MHz
FREQUENCY STABILITY	± 10ppm ~ ±100ppm		
OPERATING TEMPERATURE	0°C to 70°C, Option: -40°C to 85°C other range available		
FREQ. TOLERANCE vs. VOLT-AGE±10%	± 2.0ppm max.		
OUTPUT	CMOS, 15pF		
INPUT CURRENT: Fo < 40.000MHz	7mA max.	10mA max.	15mA max.
INPUT CURRENT: Fo < 75.000MHz	10mA max.	10mA max.	15mA max.
INPUT CURRENT: Fo < 110.000MHz	—	15mA max.	25mA max.
RISE AND FALL TIME	5.0nS max.		
DUTY CYCLE	40/60%, Option: 45/55%		
OUTPUT LEVEL	90% / 10% VCC		
START UP TIME	8.0mS max.		
ABSOLUTE CLOCK PERIOD JITTER	100pS max.		
STAND BY CURRENT	10uA max.		
STORAGE TEMPERATURE	-55°C to 125°C		

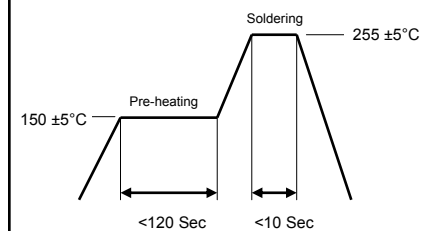
PACKAGE DIMENSIONS



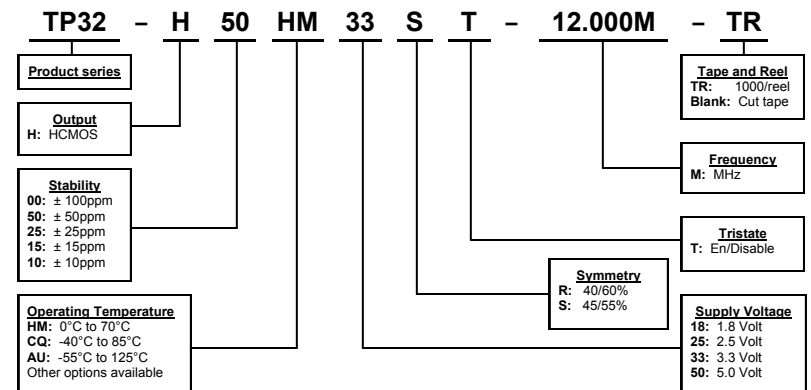
SOLDER PATTERN



REFLOW PROFILE



PART NUMBERING GUIDE



Transko Electronics, Inc reserves the right to make changes to the product (s), service (s), and specification (s) described herein without notice. No liability is assumed as a result of their use or application.