

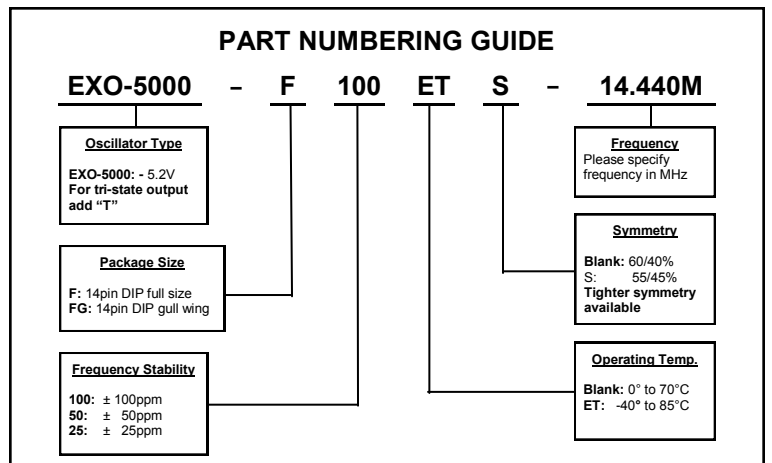
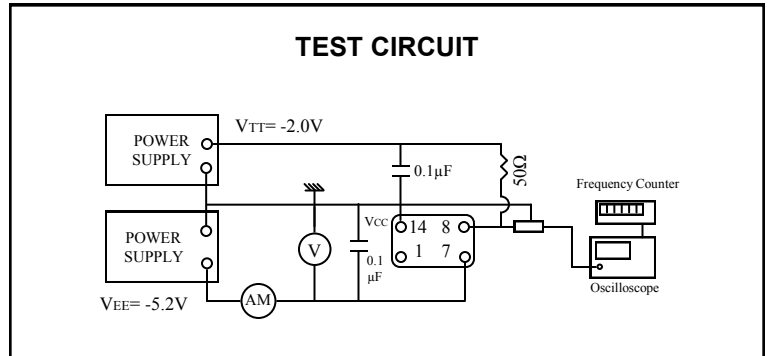
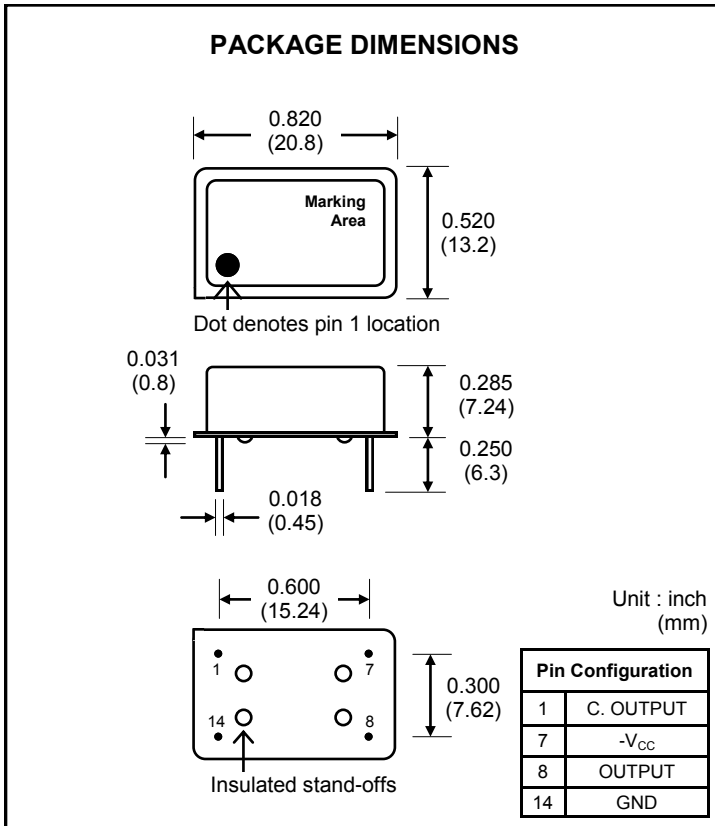
ECL OUTPUT THROUGH HOLE OSCILLATOR (20.8 x 13.2 x 7.24mm)

FEATURES:

- WIDE FREQUENCY RANGES
- ECL (-5.2Vdc) OUTPUT
- STANDARD PACKAGE



MODEL	EXO-5000
FREQUENCY	10 MHz ~ 250 MHz
FREQUENCY STABILITY	±25 ppm ~ ±100 ppm
STORAGE TEMPERATURE	-55°C ~ +125°C
OPERATING TEMPERATURE	STANDARD: 0~70°C option: -40~+85°C
SYMMETRY	60/40%(-1.3V _{DD}) option: 55/45%
RISE AND FALL TIME	3.0nS MAX (20 ~ 80%)
OUTPUT LOGIC '0' LEVEL (V _{ol})	-1.63V
OUTPUT LOGIC '1' LEVEL (V _{oh})	-0.98V
INPUT VOLTAGE	-5.2V ±5%
INPUT CURRENT	60mA
OUTPUT LOAD	50Ω ~ -2.0V _{DD}
LOGIC FAMILY	10 KHz ECL COMPATIBLE
PIN CONNECTION	#1: C.Output
	#7: -V _{cc}
	#8: Output
	#14: GND



Transko Electronics, Inc reserves the right to make changes to the product (s), service (s), and specification (s) described herein without notice. No liability is assumed as a result of their use or application.