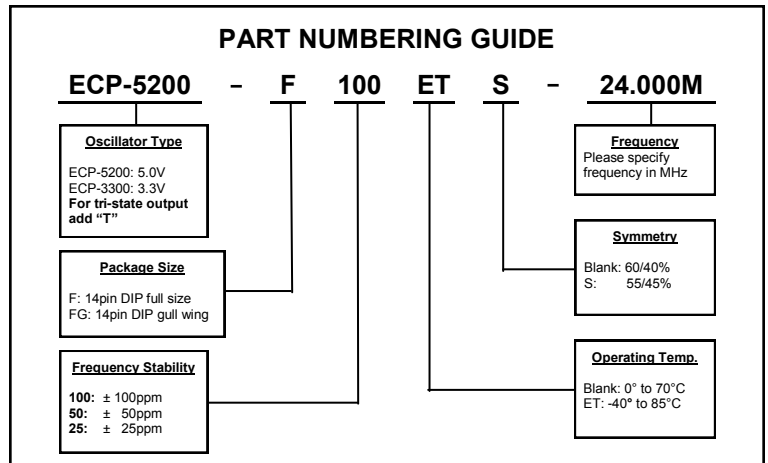
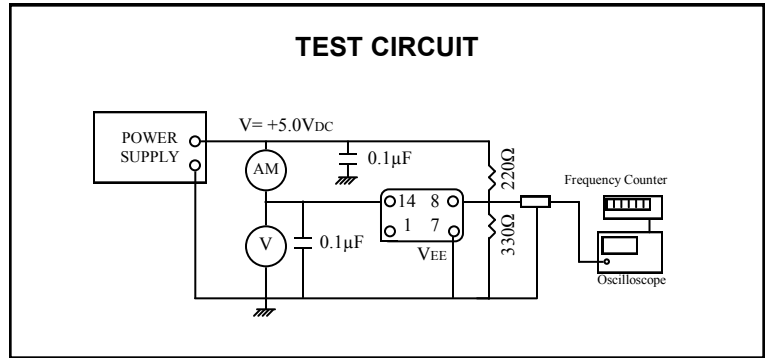
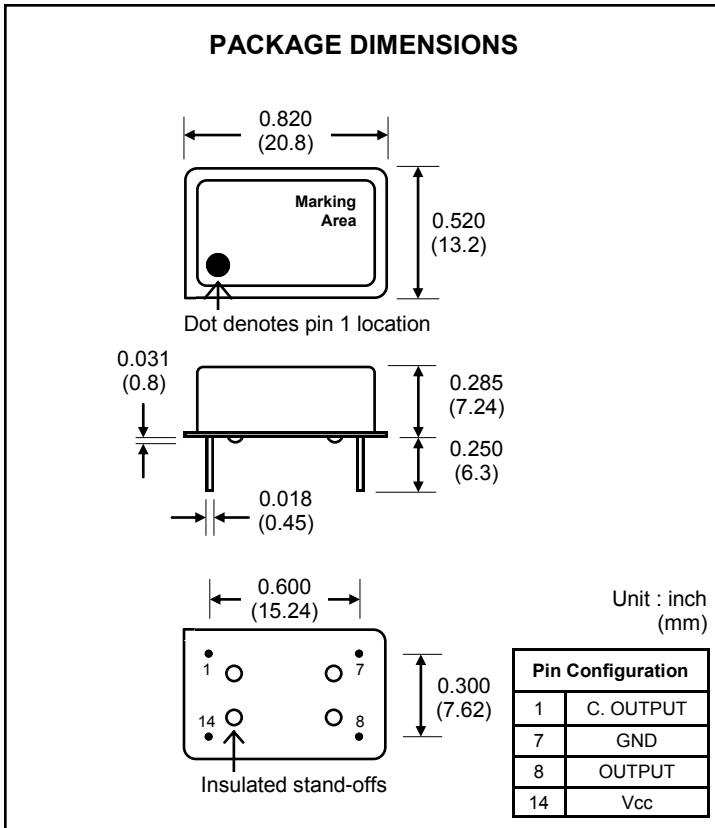


PECL OUTPUT THROUGH HOLE OSCILLATOR (20.8 x 13.2 x 7.24mm)
FEATURES:

- WIDE FREQUENCY RANGES
- COMPLEMENTARY OUTPUT
- STANDARD PACKAGE

 RoHS
Compliant


MODEL	ECP- 5200
FREQUENCY	10 MHz ~ 250 MHz
FREQ. STABILITY	± 25ppm ~ ±100 ppm
STORAGE TEMP.	-55°C ~ +125°C
OPER. TEMP.	STANDARD: 0~70°C OPTION: -40~+85°C
SYMMETRY	60/40%(+3.7VDD) 55/45%
RISE & FALL TIME	3nS MAX (20 ~ 80%)
"O" LEVEL	+3.4V
"H" LEVEL	+4.0V
INPUT VOLTAGE	5.0V±5%
INPUT CURRENT	75mA
OUTPUT LOAD	5 ECL GATE MAX.
LOGIC FAMILY	10 KHz ECL COMPATIBLE
PIN CONNECTION	#1: COMPLEMENTARY OUTPUT
	#7: GND
	#8: OUTPUT
	#14: +VDD



Transko Electronics, Inc reserves the right to make changes to the product (s), service (s), and specification (s) described herein without notice. No liability is assumed as a result of their use or application.