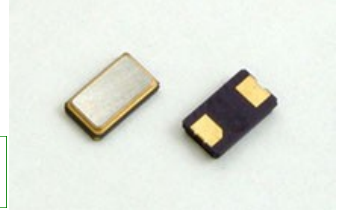


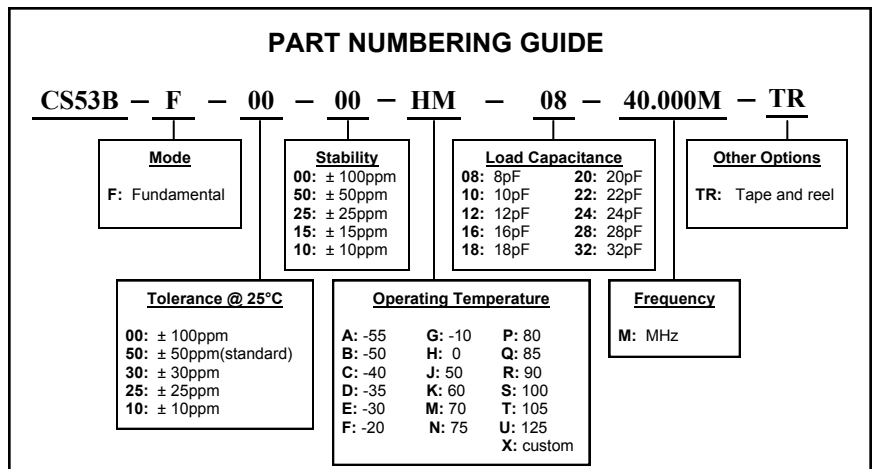
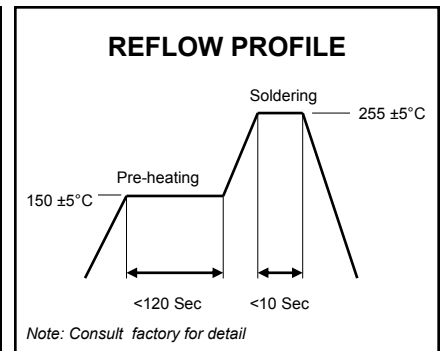
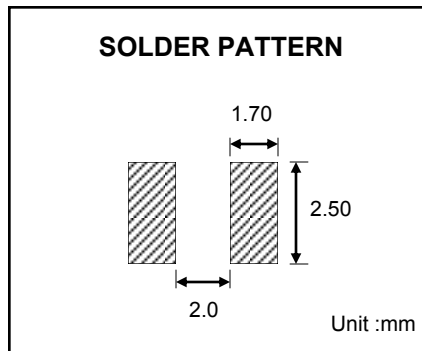
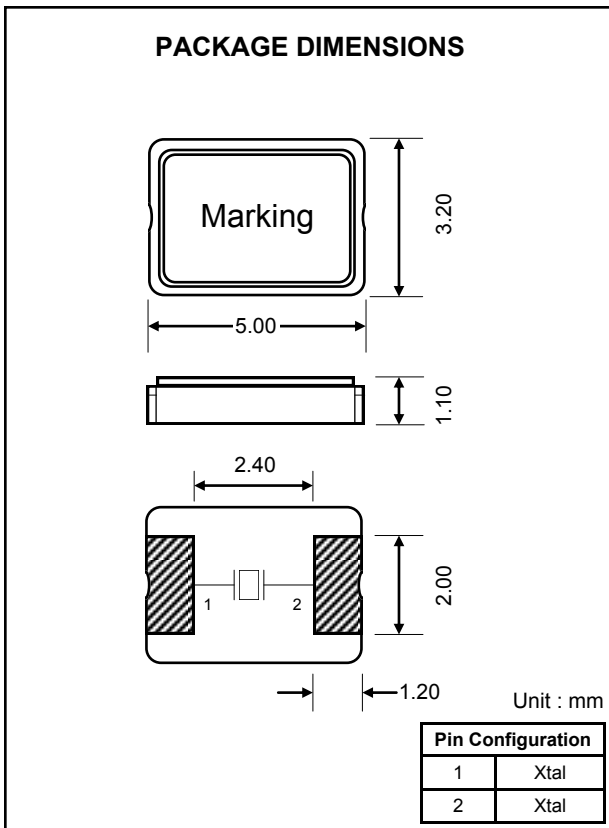
MINIATURE CERAMIC SMD CRYSTAL (5.0 x 3.2 x 1.1mm)
FEATURES:

- HIGH FREQUENCY RANGE
- LOW COST SMD PACKAGE
- LOW PROFILE / SUITABLE FOR REFLOW

RoHS
Compliant



MODEL	CS53B
FREQUENCY RANGE	10.000MHz ~ 80.000MHz
FREQUENCY TOLERANCE	± 30ppm (see below for other options)
TEMPERATURE STABILITY	± 50ppm (see below for other options)
OPERATING TEMPERATURE	STD: 0°C to 70°C (see below for other options)
STORAGE TEMPERATURE	-40°C to 85°C
SHUNT CAPACITANCE	7.0pF max
LOAD CAPACITANCE	STD: 18pF, (see below for other options)
DRIVE LEVEL	100uW max.
AGING	± 5.0ppm / year @ 25°C ± 3°C
INSULATION RESISTANCE	500MΩ min. at 100VDC ± 15VDC
OPERATION MODE	Fundamental
ESR	6.000MHz ~ 9.999MHz: 200Ω max. 10.000MHz ~ 11.999MHz: 100Ω max. 12.000MHz ~ 18.999MHz: 70Ω max. 19.000MHz ~ 60.000MHz: 40Ω max. 60.000MHz ~ 80.000MHz: 35Ω max.



Transko Electronics, Inc reserves the right to make changes to the product (s), service (s), and specification (s) described herein without notice. See "Terms of Sale" for details on our website.