

MINIATURE CERAMIC SMD TUNING FORK CRYSTAL (4.1 x 1.5 x 0.7mm)

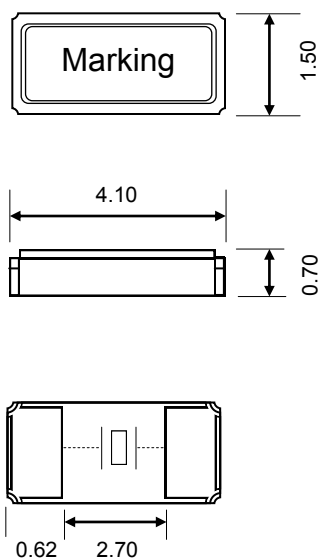
FEATURES:

- SMALLEST CERAMIC SMD PACKAGE TUNING FORK
- EXCELLENT HEAT RESISTANCE
- -40°C TO 85°C OPERATING TEMPERATURE

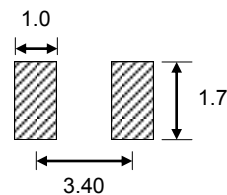
RoHS
Compliant



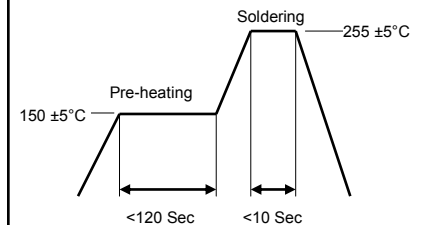
MODEL	CS41
FREQUENCY	32.768KHz
FREQUENCY TOLERANCE @ 25°C	± 20ppm
FREQUENCY STABILITY	-0.034ppm ± 0.006 ppm / °C ²
OPERATING TEMPERATURE	-40°C to 85°C
TURN OVER TEMPERATURE	25°C ± 5°C
STORAGE TEMPERATURE	-55°C to 125°C
LOAD CAPACITANCE	12.5pF typical
SHUNT CAPACITANCE	1.1pF typical
MOTIONAL CAPACITANCE	0.002pF typical
ESR	80KΩ max.
INSULATION RESISTANCE	500MΩ min. @ 100VDC ± 15VDC
DRIVE LEVEL	0.1uW typical, 1.0uW max
AGING	± 3.0ppm max. @ 25°C ± 3°C
SHOCK	± 5.0ppm max.
VIBRATION	± 5.0ppm max.
QUALITY FACTOR	20000 min.

PACKAGE DIMENSIONS


Unit : mm

SOLDER PATTERN


Unit :mm

REFLOW PROFILE


Note: Consult factory for detail

PART NUMBERING GUIDE
